



**HEAT&GLO**  
No one builds a better fire



**Multi-Sided**  
Direct Vent  
Gas Fireplaces



A different angle  
& another  
point of view.

**ST-550TM** (cover and top) Shown with Modern front in New Bronze

**ST-36TR** (right) Shown with Aero front in Black and electric ember bed





You can see a fireplace as simply the wonderful source of warmth and renewal that it is, but look again. A multi-sided fireplace can also be a room divider, a window, or a dramatic architectural element.

- In popular, flexible sizes—along with a variety of models and options—our multi-sided family is ideal for new construction, renovations and additions alike.
- Pier, See-Through and Corner vent off either the side or top, inspiring creative installation and design ideas.
- Each model offers a direct vent, completely sealed system that draws air for combustion from the outdoors only and expels any combustion by-products outside, maintaining clean indoor air.
- Standard electric ember beds in the Pier and See-Through provide year-round enjoyment of the fireplace, with or without flame.

# Multi-Sided

There's more than one way to look at a gas fireplace.







## Pier

The Pier provides three-sided viewing, and it works perfectly as a room divider or even the base of a bar. Finish with Aero, Arcadia or Chateau Deluxe front.

**Pier-36** shown with Aero front in Black and custom tile.



## Corner

Put a dark, dull corner to better use. This multi-sided model adds light and warmth to any corner, left or right. Finish with an Aero front.

**LCOR-36TRB** shown with Aero front in Black



## See-Through

The See-Through brings two rooms together while letting you design each side differently. Available in 32" and 36" models. Finish with your choice of front or door options.

**ST-550T** shown with CF-550 front in New Bronze and custom tile

# Gateway™

The Gateway goes where other multi-sided fireplaces might not. Our patented draft-assist technology combined with its smaller size means the Gateway can be installed virtually anywhere. Includes top and bottom louver assembly. No front or door required.

**Gateway** shown with custom finishing



## Options

### Aero Front\*



Fits Pier-36, ST-36, ST-550T\* and Corner

### Arcadia Front



Fits Pier-36 and ST-36

### Chateau Deluxe Front



Fits Pier-36, ST-36 and ST-550T\*

### Halston Operable Doors



Fits ST-36 and ST-550T\*

### Galleria Operable Doors



Fits ST-36

### Valencia Operable Doors



Fits ST-36

### Folio Front (Inside Fit)



Fits ST-36  
(Does not overlap)

### CF-550 Front



Fits ST-550T\*

### Modern Front



Fits ST-550TM

## Finishes

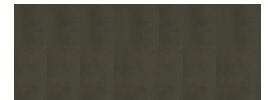
Four rich finishes. High on style, long on durability.



Aged Brass



Black



New Bronze



Graphite

## Ember Bed



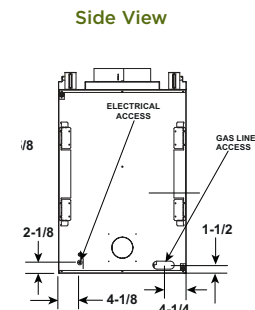
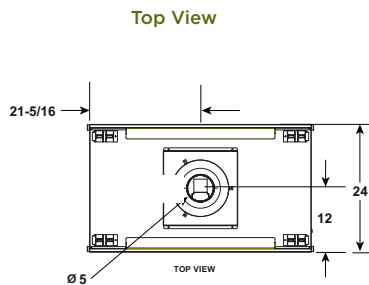
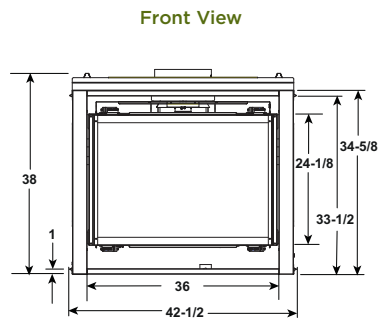
Electric ember bed provides a warm glow with or without flame. Not available on all models.

\*Aero Front and ST-550T fronts are not available in Aged Brass

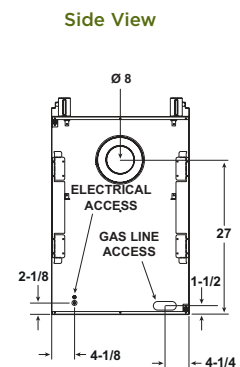
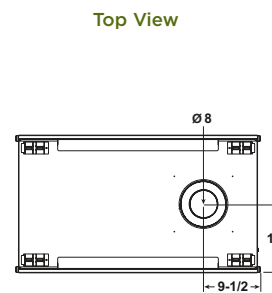
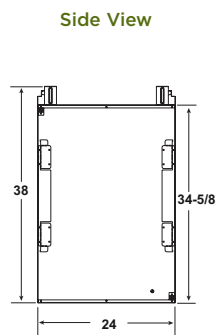
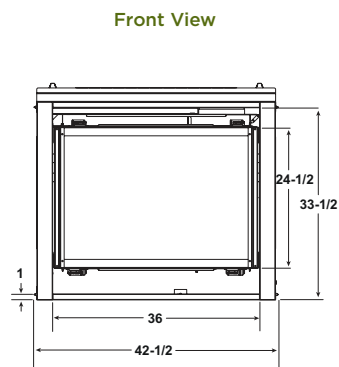
## ST-36 Specifications

MODEL	HEIGHT		FRONT WIDTH		BACK WIDTH		DEPTH		GLASS SIZE	BTU/HOUR INPUT
	Actual	Framing	Actual	Framing	Actual	Framing	Actual	Framing		
ST-36TVB	38	38-1/2	42-1/2	43	42-1/2	43	24	23	36 x 24-1/2	26,000 - 37,000
ST-36TR ST-36TRB	38	38-1/8	42-1/2	43	42-1/2	43	24	23	36 x 24-1/2	26,000 - 37,000

ST-36TVB

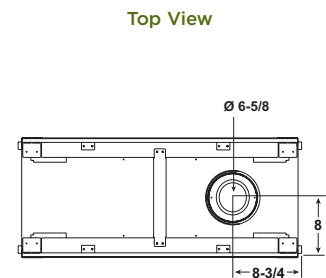
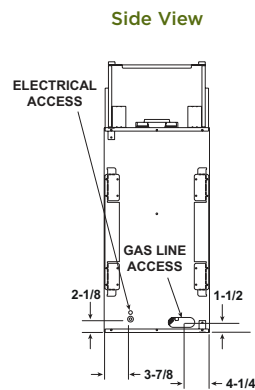
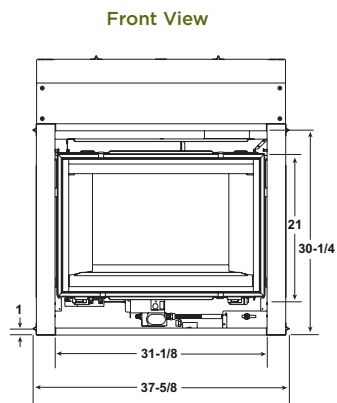
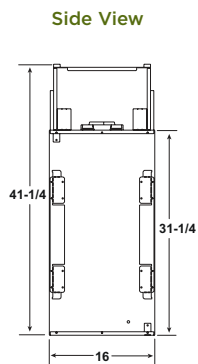


ST-36TRB/ST-36TR



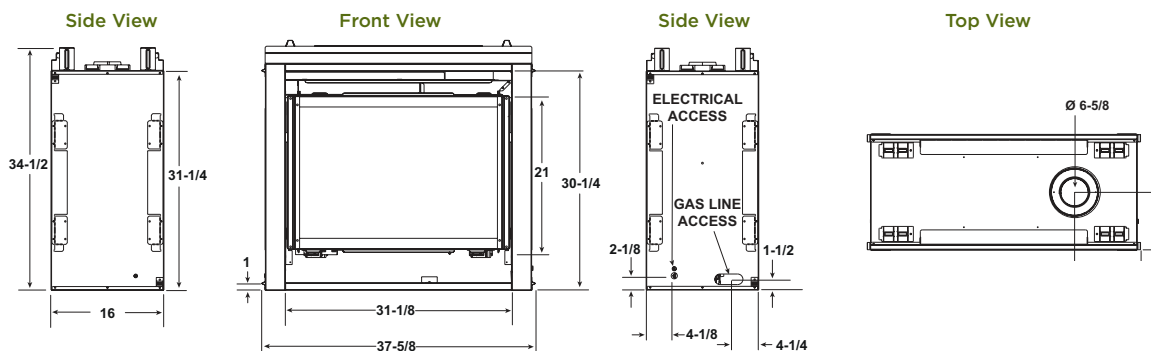
## ST-550TM Specifications

MODEL	HEIGHT		FRONT WIDTH		BACK WIDTH		DEPTH		GLASS SIZE	BTU/Hour INPUT
	Actual	Framing	Actual	Framing	Actual	Framing	Actual	Framing		
ST-550TM	41-1/4	41-1/2	37-5/8	38-1/8	37-5/8	38-1/8	16	15	31 x 21	16,000 - 22,000



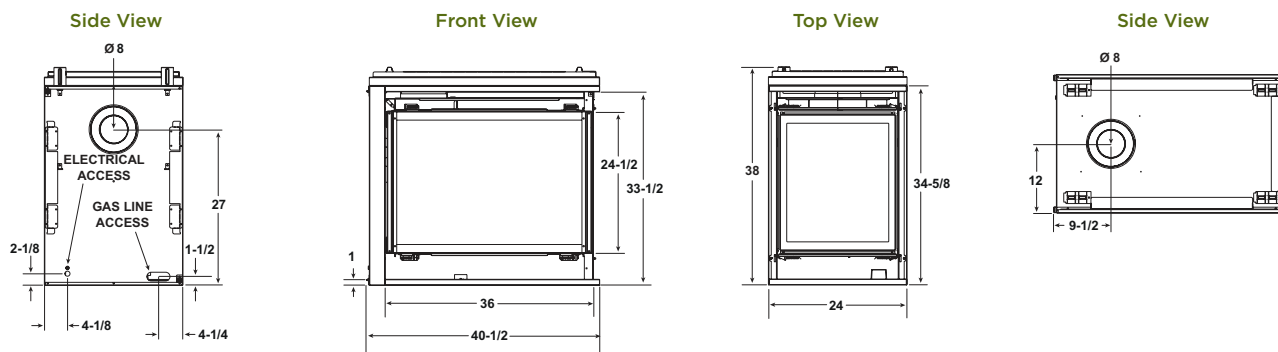
## ST-550T Specifications

MODEL	HEIGHT		FRONT WIDTH		BACK WIDTH		DEPTH		GLASS SIZE	BTU/Hour INPUT
	Actual	Framing	Actual	Framing	Actual	Framing	Actual	Framing		
ST-550T	34-1/2	34-3/4	37-5/8	38-1/8	37-5/8	38-1/8	16	15	31x21	14,700 - 21,000



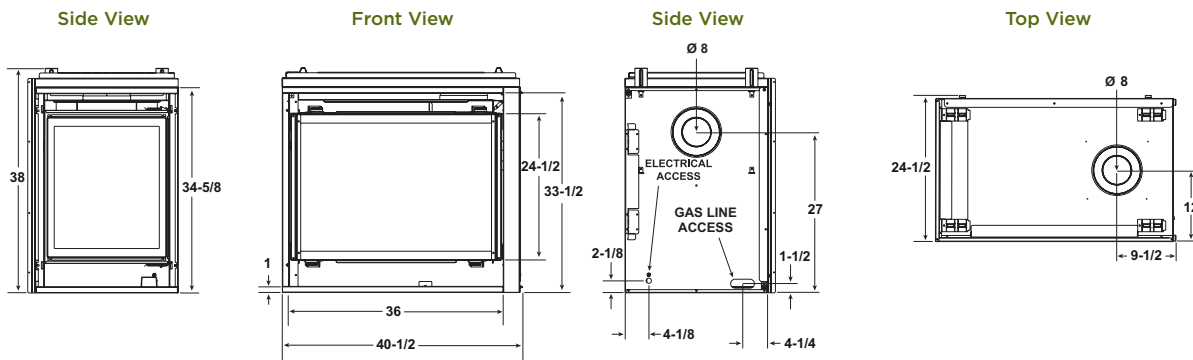
## Pier Specifications

MODEL	HEIGHT		FRONT WIDTH		BACK WIDTH		DEPTH		GLASS SIZE	BTU/Hour INPUT
	Actual	Framing	Actual	Framing	Actual	Framing	Actual	Framing		
PIER-36TR PIER-36TRB	38	38-1/8	40-1/2	40	40-1/2	40	24	23	36 x 24-1/2	26,000 - 37,000



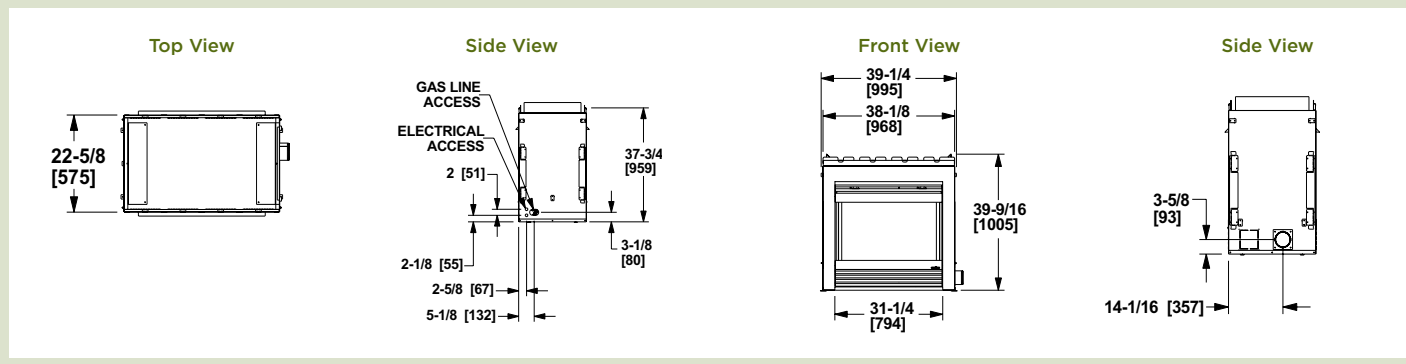
## Corner Specifications

MODEL	HEIGHT		FRONT WIDTH		BACK WIDTH		DEPTH		GLASS SIZE	BTU/Hour INPUT
	Actual	Framing	Actual	Framing	Actual	Framing	Actual	Framing		
LCOR-36TRB RCOR-36TRB	38	38-1/8	40-1/2	40	40-1/2	40	24	23	36 x 24-1/2	26,000 - 37,000



## Gateway Specifications

MODEL	HEIGHT		FRONT WIDTH		BACK WIDTH		DEPTH		GLASS SIZE	BTU/HOUR INPUT (NG)
	Actual	Framing	Actual	Framing	Actual	Framing	Actual	Framing		
GATEWAY	39-3/16	40-1/4	39-1/4	40-1/4	39-1/4	40-1/4	22-5/8	21-5/8	30-1/4 X 20-3/4	35,000



### Healthy Hearth

Our direct vent fireplaces will not alter the quality of indoor room air in any way. They utilize a sealed combustion chamber that draws in fresh air from outdoors and discards all combustion by-products back outside.

### Limited Lifetime Warranty

The strongest in the industry, Heat & Glo provides a lifetime warranty on gas-burning products for their most important aspects: firebox and heat exchanger. For full warranty details, go to [www.heatnglo.com](http://www.heatnglo.com).

### IntelliFire®

Our exclusive, state-of-the-art IntelliFire ignition system reduces gas consumption and thermogenerator wear by providing a pilot flame only when needed. It also supplies a back-up battery system to run the fireplace during a power outage.

**HEAT & GLO™**

For complete information and valuable assistance on this model, please contact us at:

Heat & Glo  
Lakeville, MN  
888-427-3973 952-985-6000

Web: [heatnglo.com](http://heatnglo.com)

A brand of Hearth & Home Technologies Inc.



HNG-1034U-1008



## Free Manuals Download Website

<http://myh66.com>

<http://usermanuals.us>

<http://www.somanuals.com>

<http://www.4manuals.cc>

<http://www.manual-lib.com>

<http://www.404manual.com>

<http://www.luxmanual.com>

<http://aubethermostatmanual.com>

Golf course search by state

<http://golfingnear.com>

Email search by domain

<http://emailbydomain.com>

Auto manuals search

<http://auto.somanuals.com>

TV manuals search

<http://tv.somanuals.com>