



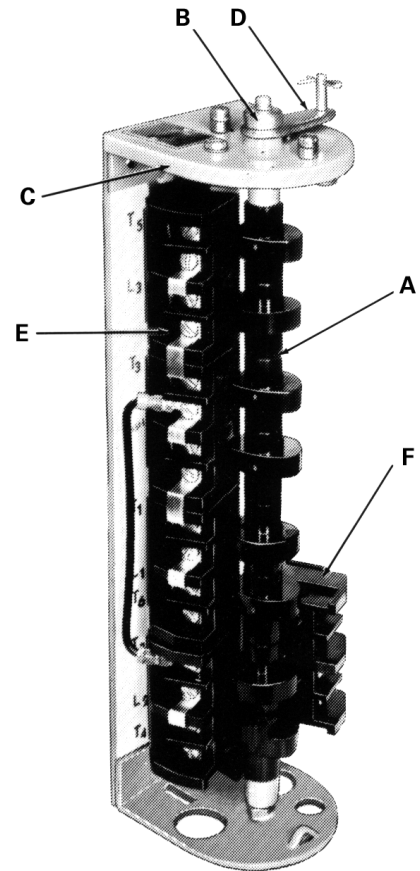
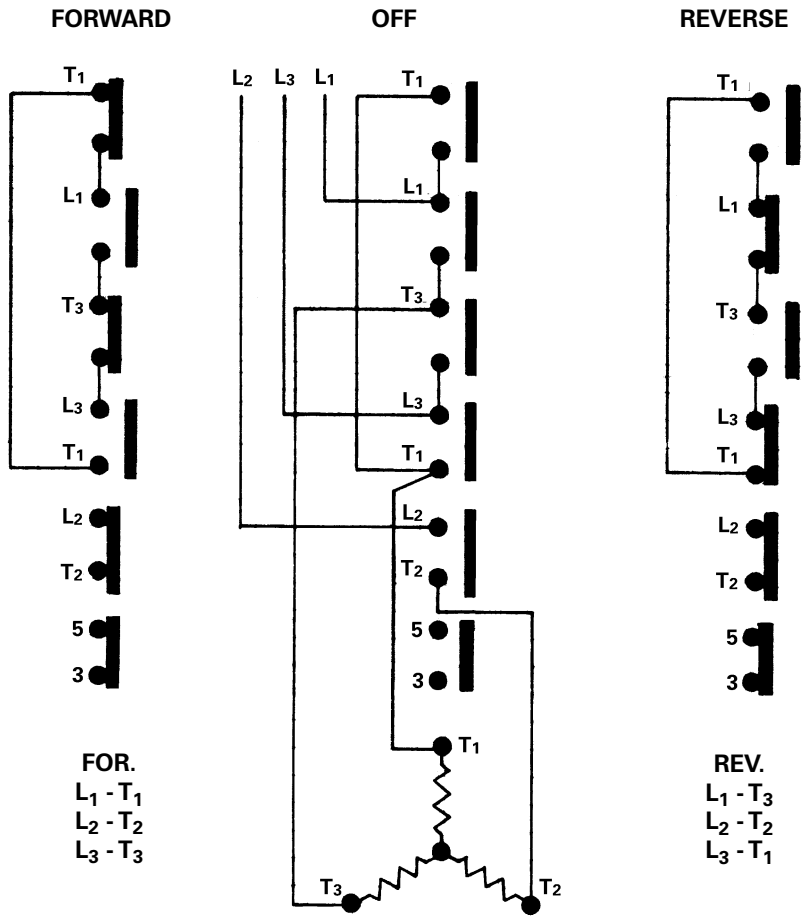
Replacement Parts

November 2003

58-GC5026

Cam Switch
Reversing - 2 Speed - 3 Phase
C5026

INTERNAL CONNECTIONS



Item	Part Name	No. Req'd	Part Number
A	Rotor Assembly	1	D50078001
B	Roller Lever Assembly	1	D10288001
C	Index Spring	1	D06171002
D	Lever Assembly	1	D17811001
E	Contact Board - 2 Pole	3	D50542001

NOTE: When ordering replacement parts, give catalog number of control and part number.

(For Engineering Reference Only - Rev. B)

Free Manuals Download Website

<http://myh66.com>

<http://usermanuals.us>

<http://www.somanuals.com>

<http://www.4manuals.cc>

<http://www.manual-lib.com>

<http://www.404manual.com>

<http://www.luxmanual.com>

<http://aubethermostatmanual.com>

Golf course search by state

<http://golfingnear.com>

Email search by domain

<http://emailbydomain.com>

Auto manuals search

<http://auto.somanuals.com>

TV manuals search

<http://tv.somanuals.com>