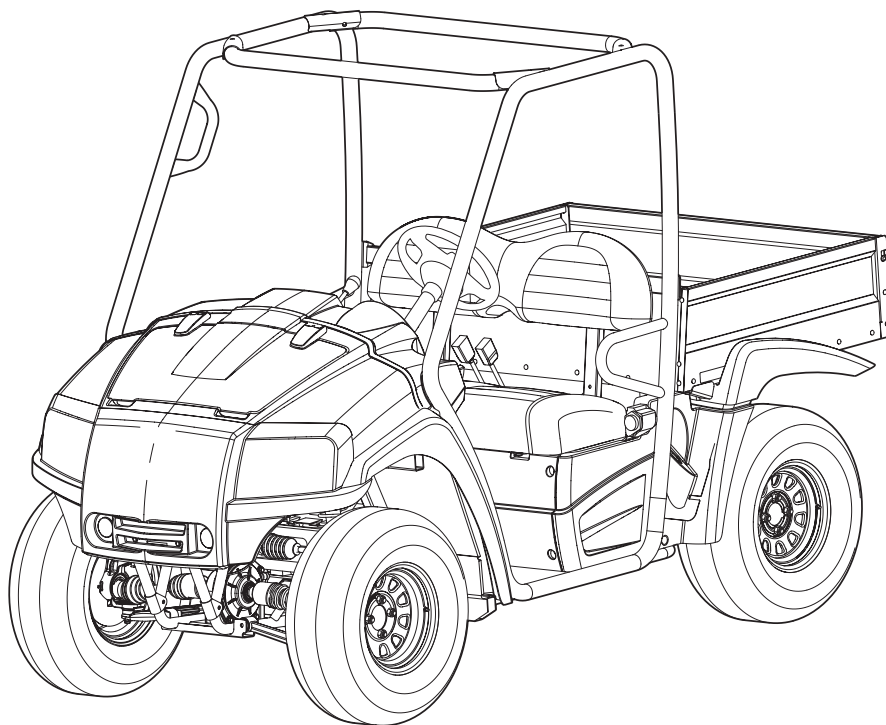




2009 HUV 4214, HUV 4414, and HUV 4414-XP Illustrated Parts List



Gasoline Utility Vehicles

Manual Number 525888503

Edition Code 0309A00000

USING THE ILLUSTRATED PARTS LIST

⚠ WARNING

- **This manual is to be used only for identification and ordering of service parts. Be sure to read and use the maintenance and service manual before attempting any vehicle repairs.**

This manual covers HUV 4214, HUV 4414 and HUV 4414-XP gasoline vehicles.

The manual is divided into sections. Note that there are two or three flags on the outside edge of each page. The first flag contains the section number of which that page is a part. The other flag (or flags) contains the letter D, E, or G, signifying that the page pertains to the diesel, electric, or gasoline vehicles only.

Use the Table of Contents to find the sections and pages that contain the parts and assemblies you seek. The Table of Contents lists section numbers, and under them, the individual page titles and numbers to be found in that section. The index can be used to find specific parts and assemblies. The index is divided into numerical and alphabetical listings with the page numbers in italic text.

There is a two-page spread for each individual page title in the Table of Contents. On the left-hand page is an illustration showing the parts in their relative positions; the parts are each tagged with an item number in a balloon. The right-hand page is the parts list page, and gives the page title at the top, then the item numbers (corresponding to the numbers on the illustration), part descriptions, and quantity of parts used.

Note that a part description may be indented. This indention corresponds to a parts assembly level indicated by the numbers 1, 2, 3, and 4 at the top left corner of the parts description area of the parts list page. A part that is indented to *level 2* is a component of the *level 1* part (assembly) that it is listed under. A *level 3* part is a component of the *level 2* part that it is listed under, and a *level 4* part is a component of the *level 3* part preceding it. In each case, the part quantity given for a level 2, 3, or 4 part is the quantity used per next higher level assembly of which it is a component. A part that is not indented is a *level 1* part. This means that the quantity given is the quantity used per the portion of the vehicle illustrated on that particular spread.

HOW TO ORDER PARTS

Replacement parts and accessories can be obtained from our network of authorized dealers and distributors. For the name and address of the Husqvarna representative nearest you, logon to our web site at www.usa.husqvarna.com. If you would prefer to write to us, direct your letter to: Husqvarna, Attention: Marketing Services, 7349 Statesville Rd., Charlotte, NC 28269 USA. Your local authorized Husqvarna representative can also provide technical advice, parts, and service manuals.



Husqvarna Professional Products, Inc.
7349 Statesville Rd.
Charlotte, NC 28269
USA
www.husqvarna.com

NOTE: *This illustrated parts list represents the most current information at the time of publication. Husqvarna is continually working to further improve its vehicles and other products. These improvements may affect the parts used to service the vehicle. Any modification and/or significant change in specifications will be forwarded to all Husqvarna distributors/dealers and will, when applicable, appear in future editions of this illustrated parts list.*

Husqvarna reserves the right to change specifications and designs at any time without notice and without the obligation of making changes to units previously sold.

CONTENTS

SECTION 5 – STEERING AND SUSPENSION

Steering	5-3
Steering Wheel	5-5
Front Suspension	5-7
Rear Suspension	5-9
Springs & Shocks	5-11

SECTION 6 – ELECTRICAL SYSTEM

Electrical Components	6-3
Wiring	6-7

SECTION 7 – BRIGGS GASOLINE ENGINE

Starter Motor	7-3
Engine and Engine Mounting	7-5
Engine Shroud	7-7
Electical Components – Engine	7-9
Governor Control Brakets and Springs	7-11
Oil Pump, Oil Filter and Crankcase Cover	7-13
Cylinder Head & Valves	7-15
Cylinder Assembly	7-17
Crankshaft and Pistons	7-19
Flywheel	7-21
Engine Gaskets and Seals	7-23
Intake Manifold	7-25
Fuel Pump and Filter	7-27
Carburetor	7-29
Air Cleaner	7-31

SECTION 8 – FUEL SYSTEM

Fuel System	8-3
Fuel Tank	8-5

SECTION 9 – EXHAUST SYSTEM

Exhaust System	9-3
----------------------	-----

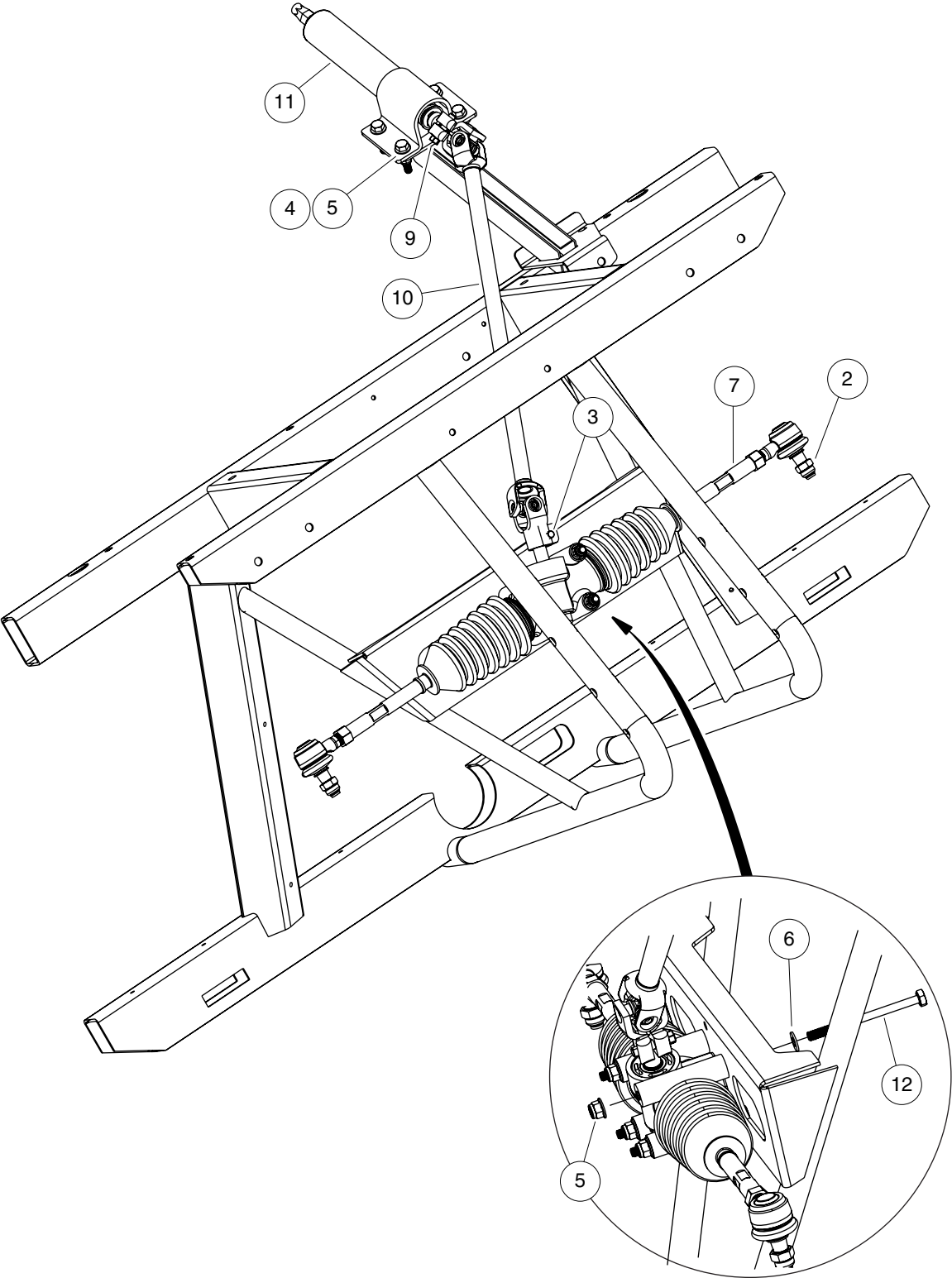
SECTION 10 – CLUTCHES

Clutch Cover – Sealed	10-3
-----------------------------	------

STEERING AND SUSPENSION

5

G



000896-001

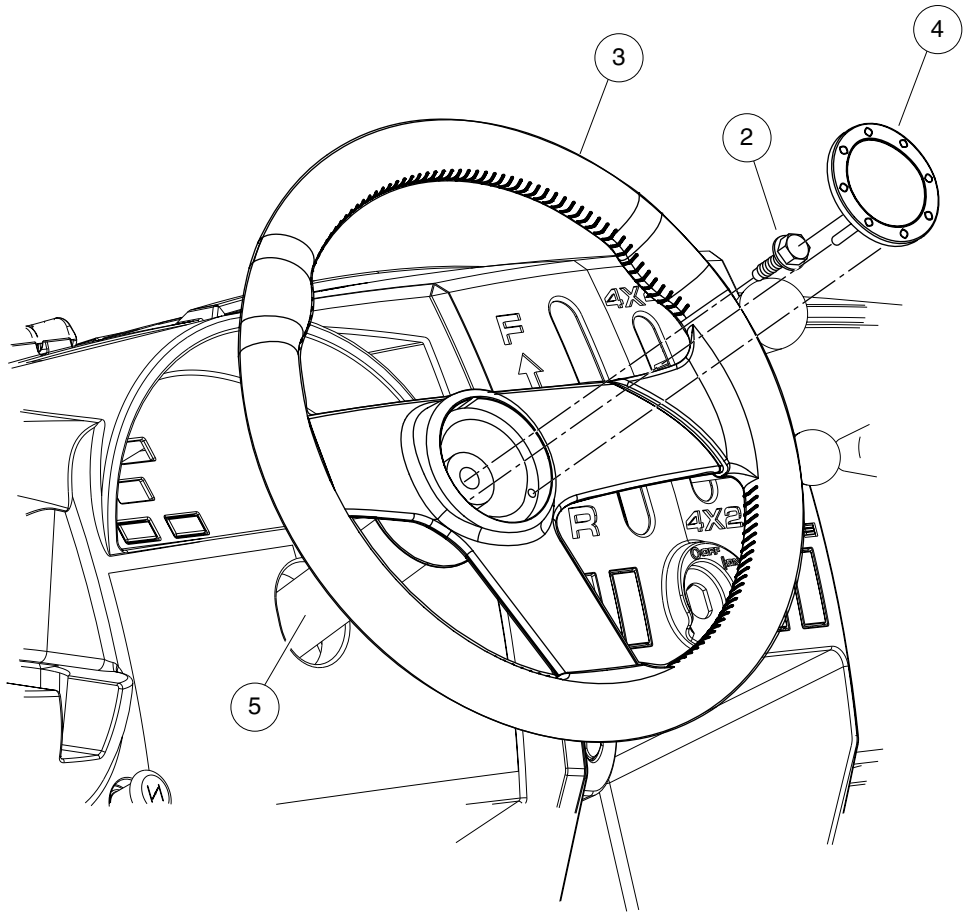
STEERING

ITEM	PART NO.	DESCRIPTION	QTY
		1 2 3 4	
1	N/A	Instl, Steering, XRT 950 (includes items 2 through 12)	1
2	603 00 06-84	Locknut, M12-1.25 Nylon	2
3	603 00 08-75	Bolt, Flange Head, M8 X 30.0	1
4	603 00 13-07	Bolt Flanged Head, M8 X 1.25 X 35	4
5	603 00 13-08	Lock Nut, Flg M8 X 1.25 Nylon	8
6	603 00 15-22	Washer, Plain, M8	8
7	523 34 59-62	Asm, Rack, Steering	1
8	523 34 59-63	Asm, Steering Column (includes items 9 through 11)	1
9	603 00 08-75	Bolt, Flange Head, M8 X 30.0	1
10	523 34 59-56	Shaft, Intermediate, Xrt	1
11	525 76 59-01	Column, Steering W/o I-shaft	1
12	523 34 59-78	Bolt, Flg, M8 X 1.25 X 100	4

5
G

5

G

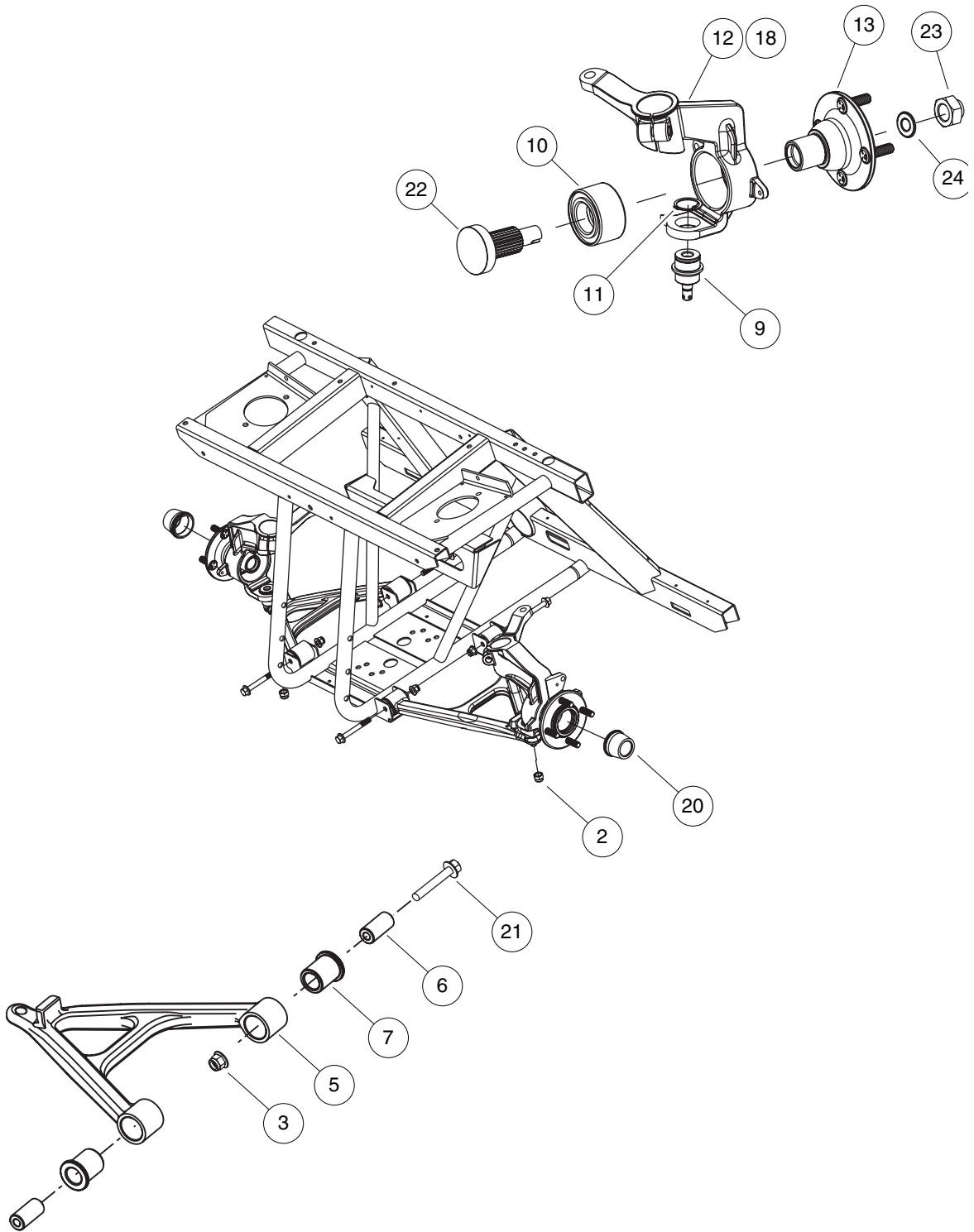


000900-001

STEERING WHEEL

ITEM	PART NO.	DESCRIPTION	QTY
		1 2 3 4	
1	N/A	Instl, Steering Wheel (includes items 2 through 5)	1
2	603 00 08-71	Bolt, M10 X 20 Hex Washer Hd	1
3	603 00 08-92	Steering Wheel, Viper, Hex Hub	1
4	603 00 08-97	Cap, Steering Wheel, Viper	1
5	603 00 44-13	Shroud, Steering Column	1

5
G



000904-001

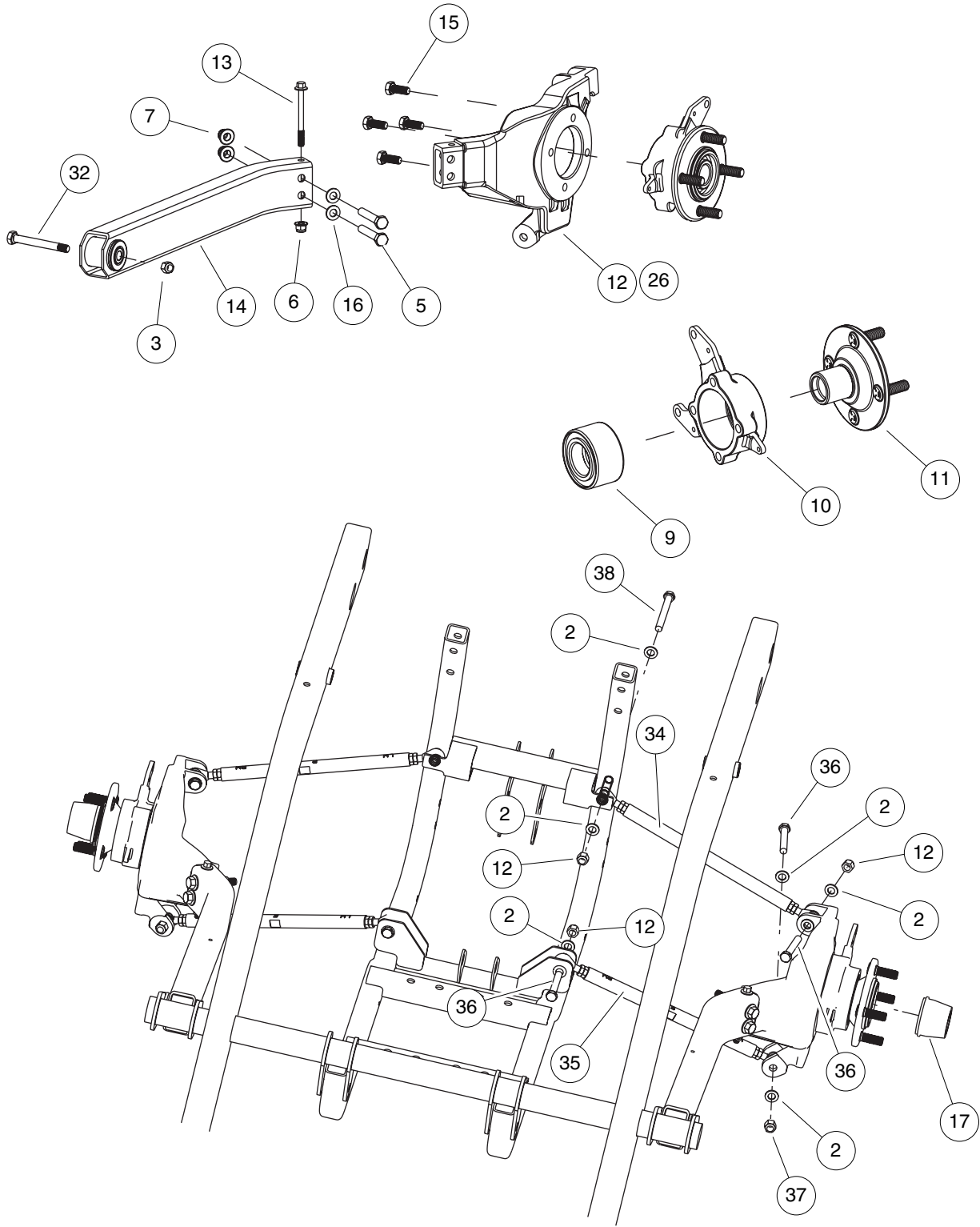
FRONT SUSPENSION

ITEM	PART NO.	DESCRIPTION	QTY
		1 2 3 4	
1	N/A	Instl, Front Suspension Comn (includes items 2 through 24)	1
2	603 00 06-84	Locknut, M12-1.25 Nylon	2
3	603 00 15-86	Nut Flg M10 X 1.5 Nylon	4
4	523 34 59-52	Asm, A- Arm (includes items 5 through 7)	2
5	523 34 59-57	A-arm	1
6	523 34 59-72	Sleeve, A-arm	2
7	603 00 35-43	Bushing, Lower Arm	2
8	523 34 59-59	Asm, Upright, Rh (includes items 9 through 13)	1
9	603 00 08-91	Joint, Ball	1
10	603 00 11-23	Bearing	1
11	603 00 16-84	Ring, Retaining, Ext, 1-1/4"	1
12	523 34 59-68	Strut, Rh, Machined	1
13	523 34 59-85	Asm, Wheel Hub, Front	1
14	523 34 59-60	Asm, Upright, Rh (includes items 15 through 19)	1
15	603 00 08-91	Joint, Ball	1
16	603 00 11-23	Bearing	1
17	603 00 16-84	Ring, Retaining, Ext, 1-1/4"	1
18	523 34 59-54	Strut, Lh, Machined	1
19	523 34 59-85	Asm, Wheel Hub, Front	1
20	523 34 59-71	Cap, Wheel, Rubber	2
21	523 34 59-82	Bolt, Flg, M10 X 1.5 X 80	4
22	525 32 82-37	Shaft, Retention, Front, 2wd	2
23	525 79 52-01	Nut, Stake, M18, Halfshaft	2
24	525 79 60-01	Washer, Flat, M18	2

5

G

5
G



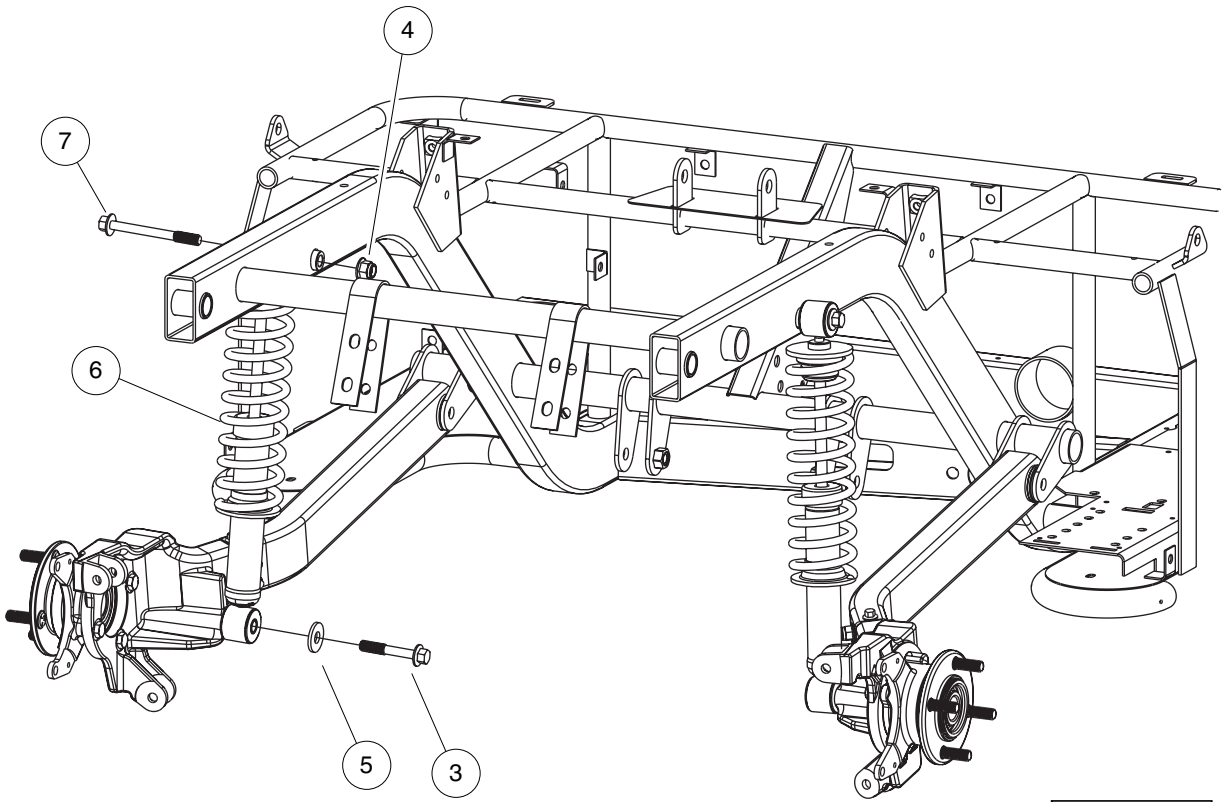
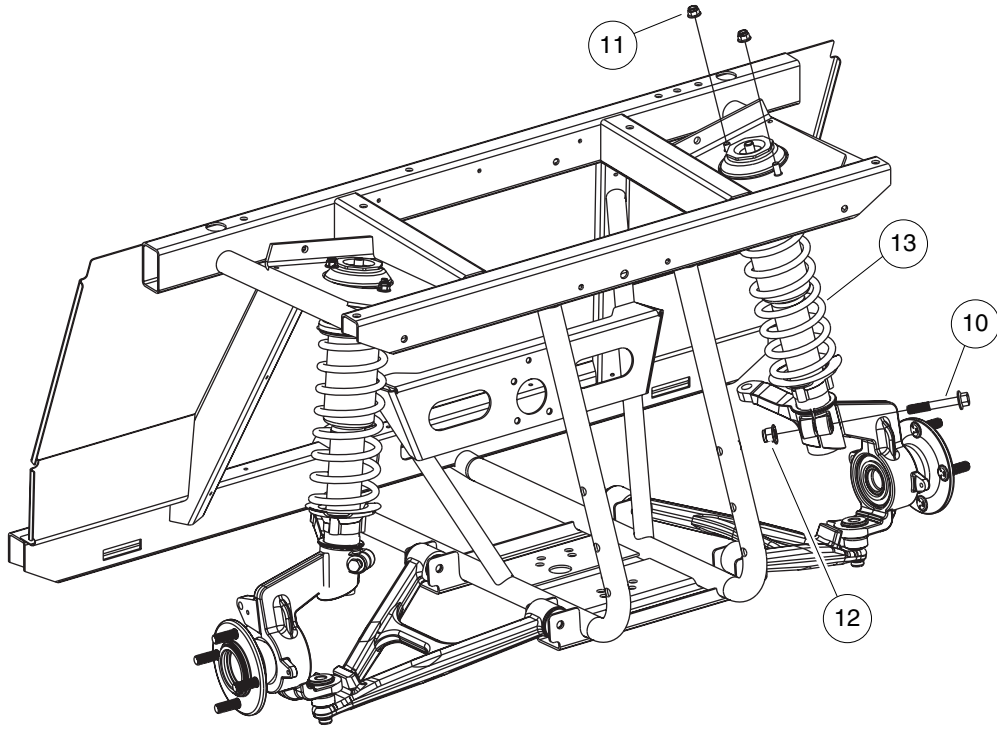
000905-001

REAR SUSPENSION

5

G

ITEM	PART NO.	DESCRIPTION	QTY
		1 2 3 4	
1	N/A	Instl, Rear Suspension Comn (includes items 2 through 38)	1
2	603 00 01-32	Washer, 3/8 Flat	16
3	603 00 13-12	Nut Flg, M12x1.75, Nylon Gr 10	2
4	523 34 59-70	Asm, Trailing Arm, Rh (includes items 5 through 16)	1
5	603 00 37-13	Screw, M10-1.50 X 60mm Hex Cap	2
6	603 00 13-08	Lock Nut, Flg M8 X 1.25 Nylon	1
7	603 00 15-86	Nut Flg M10 X 1.5 Nylon	2
8	523 34 59-61	Asm, Upright, Rearar (includes items 9 through 11)	1
9	603 00 11-23	Bearing	1
10	523 34 59-55	Holder, Bearing, Rear	1
11	523 34 59-75	Asm, Wheel Hub, Rear	1
12	523 34 59-74	Anchor, Trailing Arm, Rh	1
13	523 34 59-80	Bolt, Flg, M8 X 1.25 X 80	1
14	523 34 59-81	Asm, Swing, Arm	1
15	523 34 59-84	Bolt, M10 X 1.5 X 25	4
16	603 00 04-51	Washer, M10 Hard	2
17	523 34 59-71	Cap, Wheel, Rubber	2
18	523 34 59-73	Asm, Trailing Arm, Lh (includes items 19 through 30)	1
19	603 00 37-13	Screw, M10-1.50 X 60mm Hex Cap	2
20	603 00 13-08	Lock Nut, Flg M8 X 1.25 Nylon	1
21	603 00 15-86	Nut Flg M10 X 1.5 Nylon	2
22	523 34 59-61	Asm, Upright, Rearar (includes items 23 through 25)	1
23	603 00 11-23	Bearing	1
24	523 34 59-55	Holder, Bearing, Rear	1
25	523 34 59-75	Asm, Wheel Hub, Rear	1
26	523 34 59-65	Anchor, Trailing Arm, Lh	1
27	523 34 59-80	Bolt, Flg, M8 X 1.25 X 80	1
28	523 34 59-81	Asm, Swing, Arm	1
29	523 34 59-84	Bolt, M10 X 1.5 X 25	4
30	603 00 04-51	Washer, M10 Hard	2
31	523 34 59-76	Sleeve, Link, Short	2
32	523 34 59-77	Bolt, Flg, M12 X 1.75 X 80	2
33	525 76 68-01	Spacer, Lat-link (not shown)	14
34	525 76 71-01	Asm, Lat-link Rear	2
35	N/A	Asm, Lat-link Front, Chrome	2
36	603 00 33-04	Screw, 3/8-16 X 2.25 Hx Hd Cap	6
37	603 00 00-95	Locknut, 3/8-16 Hex	8
38	603 00 00-96	Screw, 3/8-16 X 3.375 Hex Cap	2



000906-001

SPRINGS & SHOCKS

ITEM	PART NO.	DESCRIPTION	QTY	5
		1 2 3 4		
1	N/A	Instl, Shocks, Rear, Std (includes item 2)	1	
2	523 34 59-86	Asm, Shocks (includes items 3 through 7)	1	
3	603 00 12-92	Bolt, Flange Head, M12 X 1.75 X 70	2	
4	603 00 13-12	Nut Flg, M12x1.75, Nylon Gr 10	2	
5	603 00 15-99	Washer, M12 Hard Regular	2	
6	523 34 59-66	Shock Absorber, Rear	2	
7	523 34 59-79	Bolt, Flg, M12 X 1.75 X 110	2	
8	N/A	Instl, Shocks, Front, Std (includes item 9)	1	
9	523 34 59-87	Asm, Strut (includes items 10 through 13)	1	
10	603 00 12-92	Bolt, Flange Head, M12 X 1.75 X 70	2	
11	603 00 13-08	Lock Nut, Flg M8 X 1.25 Nylon	4	
12	603 00 13-12	Nut Flg, M12x1.75, Nylon Gr 10	2	
13	523 34 59-51	Cartridge, Strut, Front	2	
				G

5

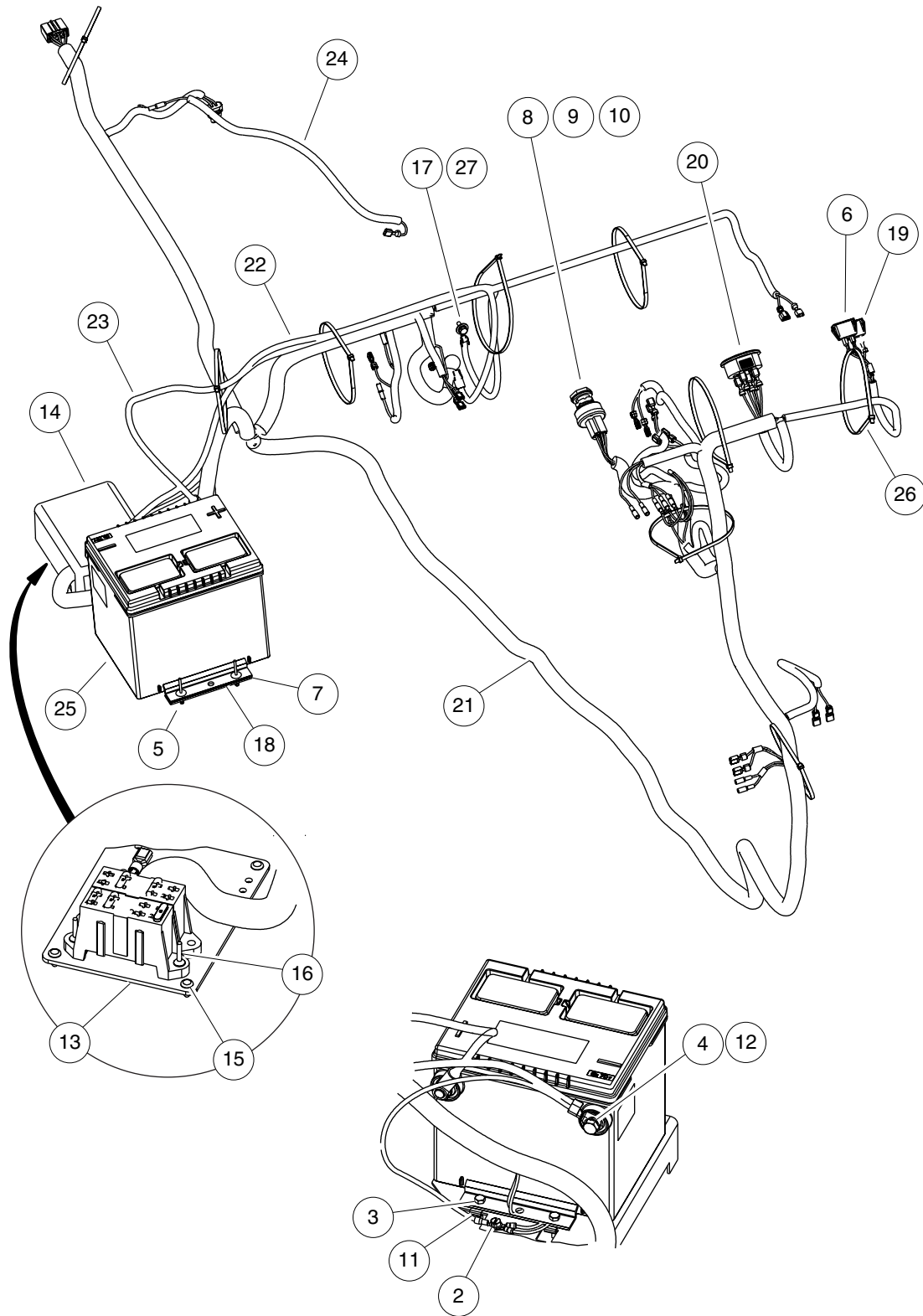
G

ELECTRICAL SYSTEM

6

G

6
G

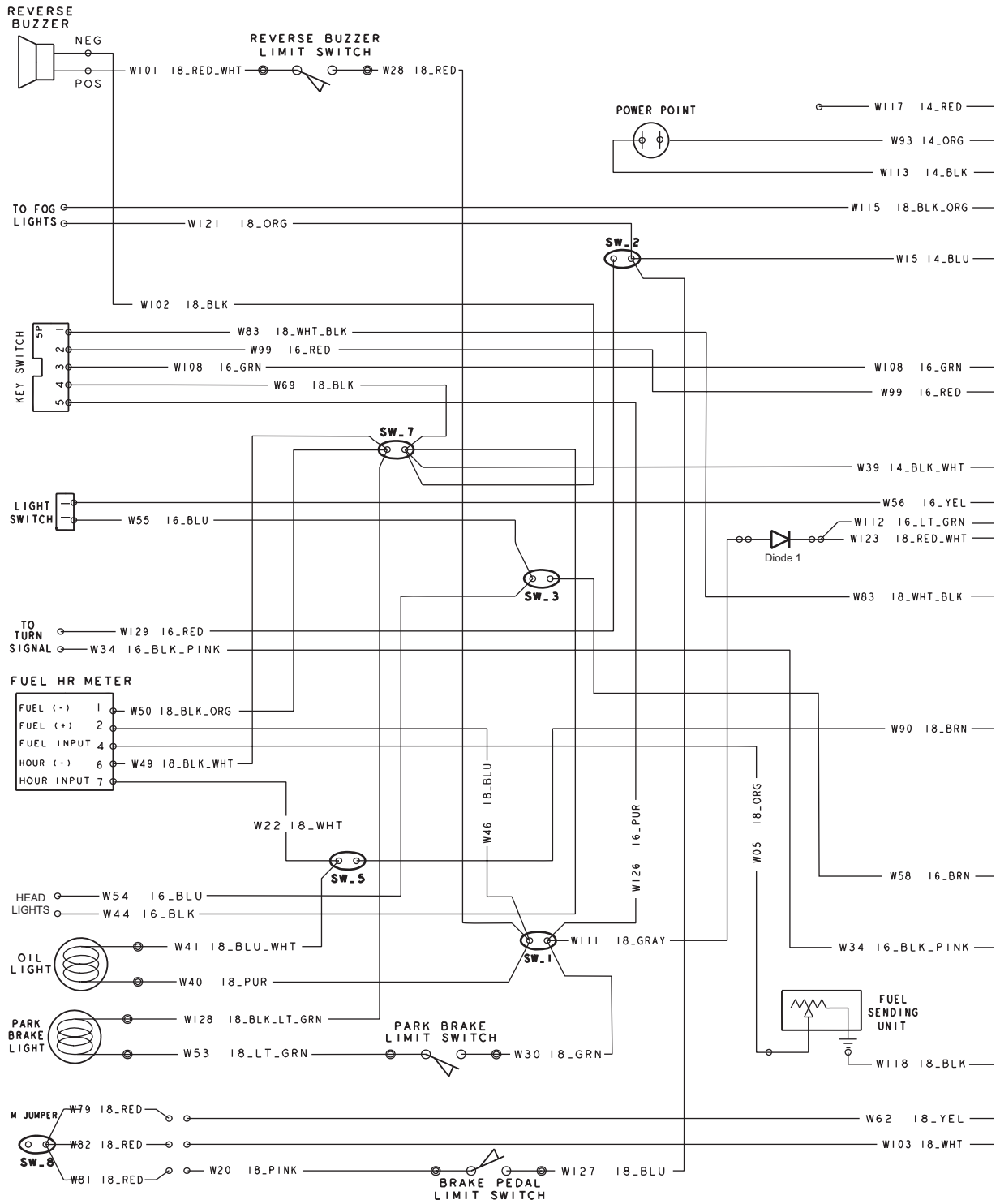


000898-001

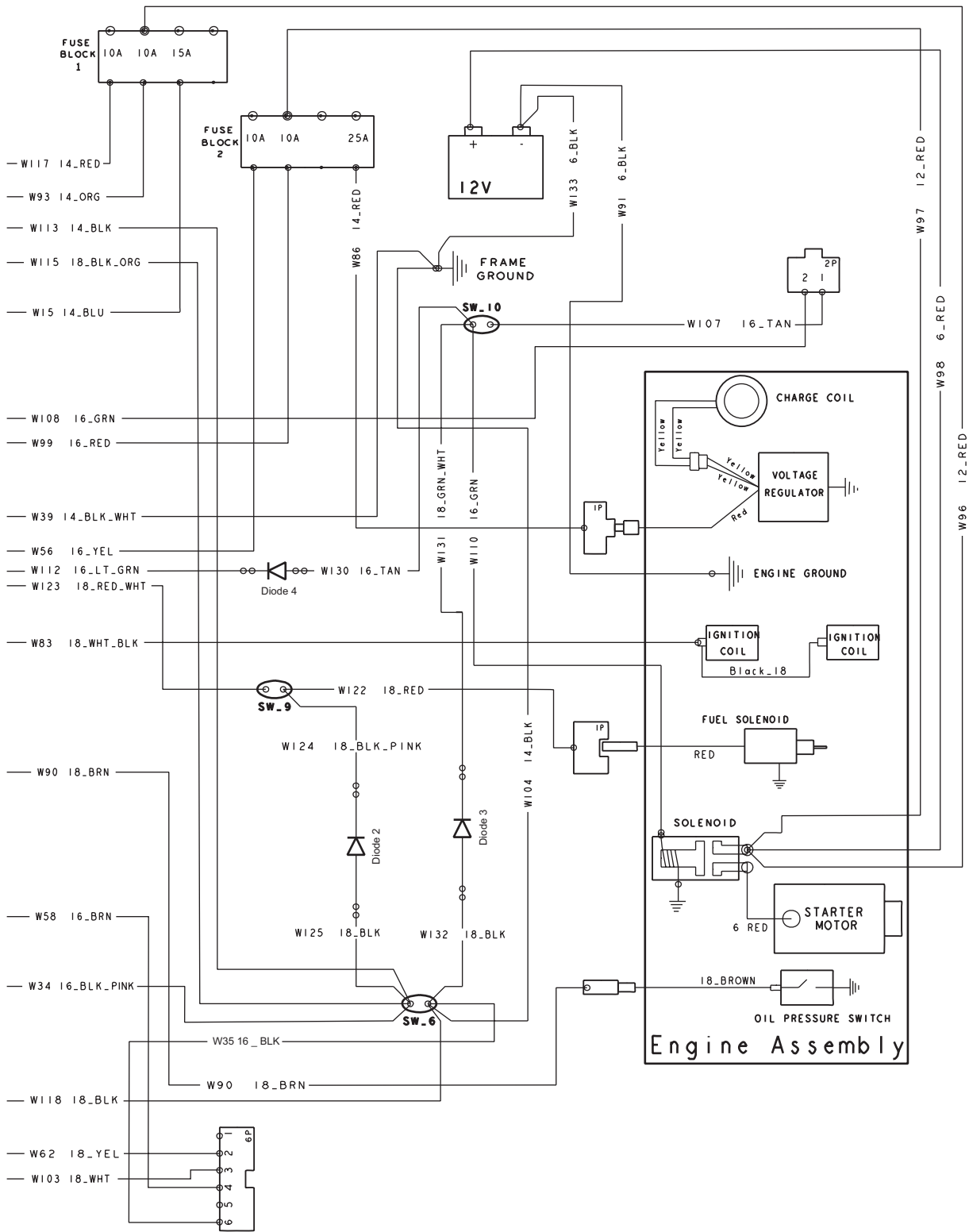
ELECTRICAL COMPONENTS

ITEM	PART NO.	DESCRIPTION	QTY
		1 2 3 4	
1	N/A	Instl, Elec Sys, Gas, XRT 950 (includes items 2 through 27)	A/R
2	603 00 01-10	Screw, Hex Washer Head 1/4-14 X .75	1
3	603 00 01-57	Screw, M6-1.00 X 25mm Hex Cap	2
4	603 00 02-24	Screw, 3/8-16 X 0.50 Stainless Steel Hex-Head	2
5	603 00 34-53	Rivet, 3/16 Pop	2
6	603 00 03-66	Light, Oil	1
7	603 00 05-76	Clamp, Battery	2
8	603 00 07-27	Key Switch 12v Key Start	1
9	603 00 07-60	Spacer, Keyswitch	1
10	603 00 07-61	Nut, Key Switch	1
11	603 00 39-61	U-nut, M6-1.0 Prev Torque	2
12	603 00 08-90	Lockwasher, #10 Split Ss	2
13	603 00 09-93	Plate, Electrical	1
14	603 00 09-94	Cover, Electrical	1
15	603 00 10-67	Fastener, Push-in	4
16	603 00 10-68	Rivet, Drive	2
17	603 00 11-67	Bolt, M6 X 1 X 16 Loctite	1
18	523 34 59-24	Spacer, Battery	1
19	523 34 59-91	Light, Indicator, Brake Sys	1
20	603 00 41-68	Gauge Fuel-hour Sep Gnd	1
21	525 32 82-10	Harness, Main, Xrt950	1
22	525 32 82-35	B- Wire, Xrt950	1
23	525 32 82-36	B+ Wire, Xrt950	1
24	525 32 82-51	Jumpr, Xrt950, Oil Pres Swth	1
25	522 71 86-19	Battery, Start, 12v	1
26	603 00 00-93	Tie Wrap, 11" Nylon	9
27	603 00 04-42	Washer, M6	1

6
G



WD1031003



WD1031003

6

G

See previous two pages for illustration.

WIRING

ITEM	PART NO.	DESCRIPTION	QTY
1	525 32 82-10	1 2 3 4 Harness, Main, XRT 950	1

6
G

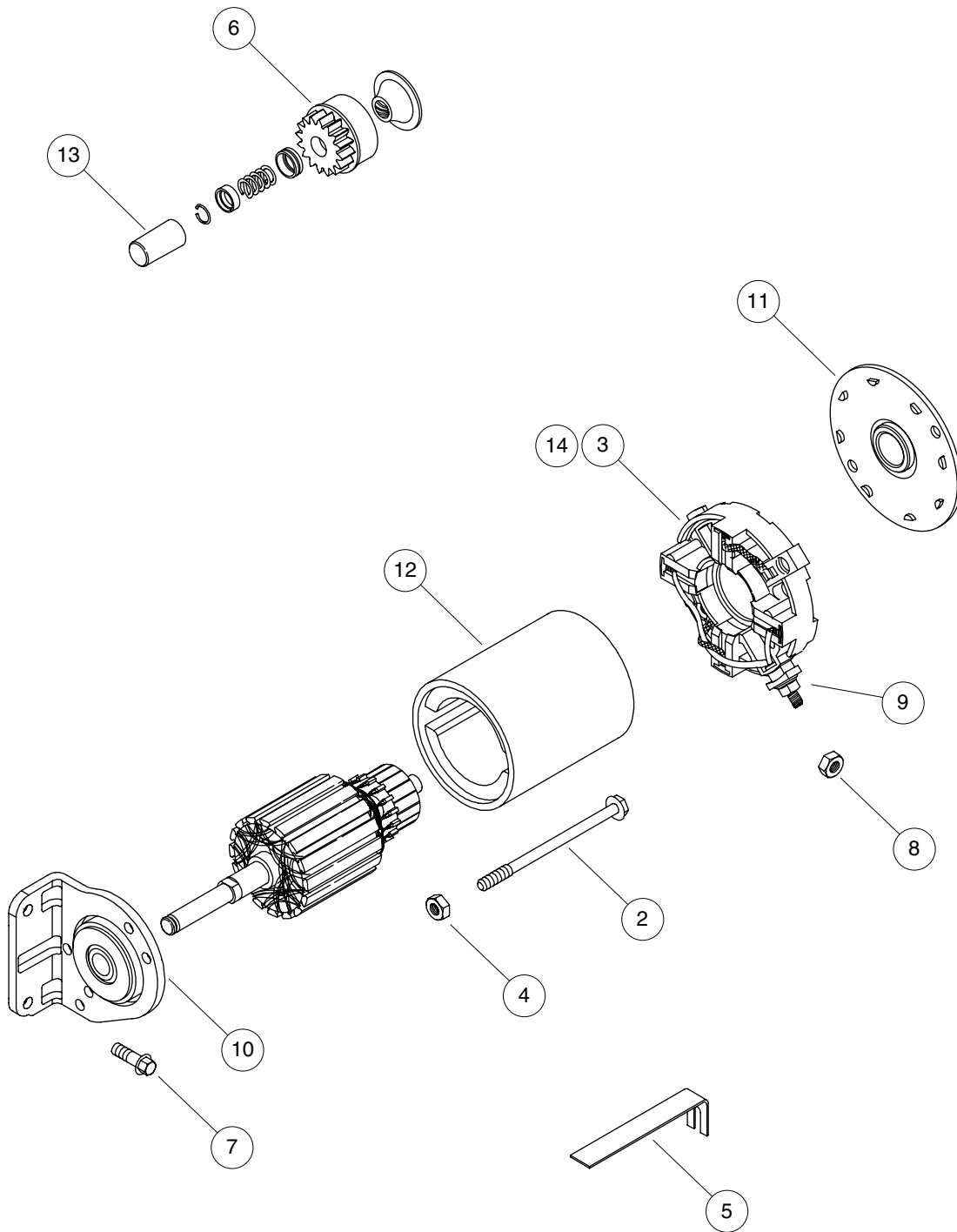
6

G

BRIGGS GASOLINE ENGINE



7
G

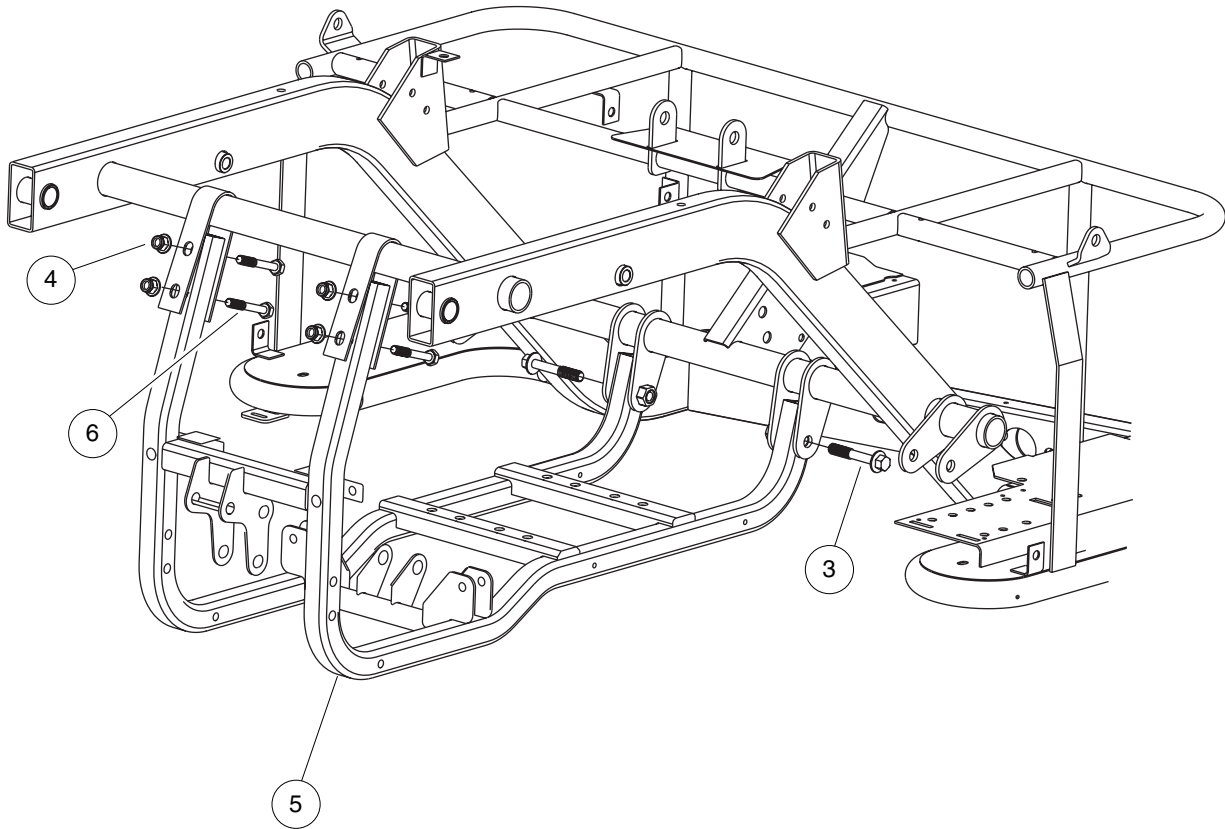


000889-009

STARTER MOTOR

ITEM	PART NO.	DESCRIPTION	QTY
		1 2 3 4	
1	525 77 96-01	Motor, Starter (includes items 2 through 14) (includes items 2 through 14)	1
2	525 77 97-01	Screw, Starter Motor	2
3	525 77 98-01	Set, Brush	1
4	525 78 12-01	Nut, Starter Motor	2
5	525 78 22-01	Strap, Starter	1
6	525 78 26-01	Drive, Starter	1
7	525 78 54-01	Screw, Drive Cap	2
8	525 78 64-01	Nut, Brush Retainer, 1	1
9	525 78 65-01	Nut, Brush Retainer, 2	1
10	525 78 66-01	Cap, Drive	1
11	525 78 67-01	Cap, End, B & S 14 Hp	1
12	525 78 68-01	Housing, Starter	1
13	525 79 03-01	Ring, Retaining, B & S 14 Hp	1
14	525 79 06-01	Retainer, Brush	1

7
G



000888-001

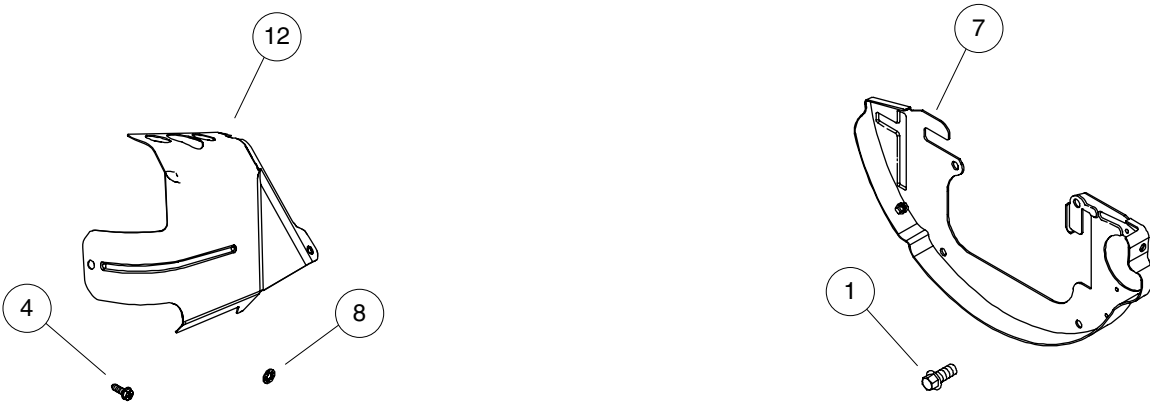
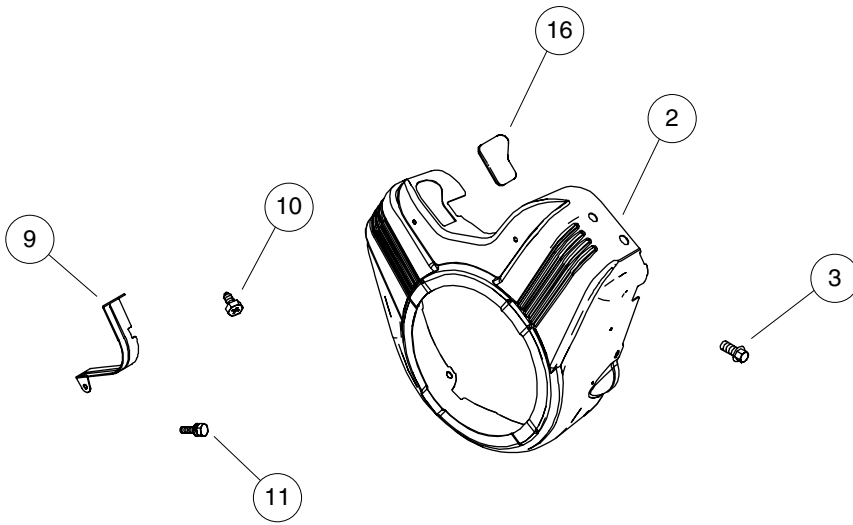
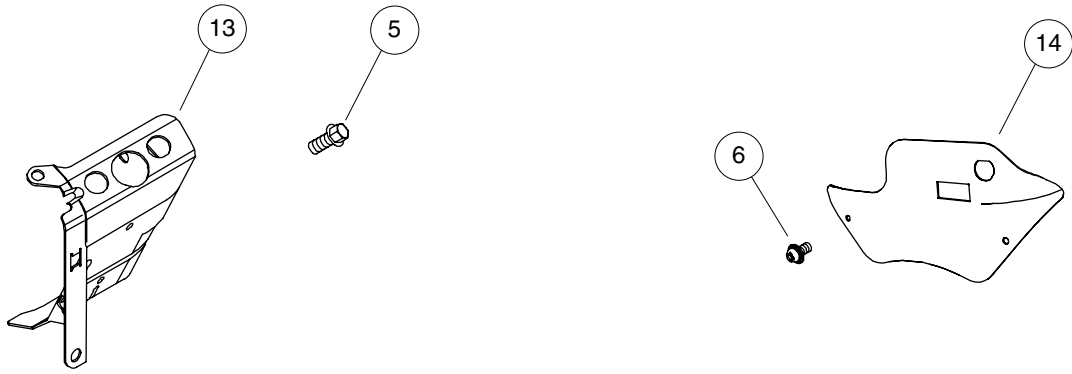
ENGINE AND ENGINE MOUNTING

ITEM	PART NO.	DESCRIPTION	QTY
		1 2 3 4	
1	523 34 59-95	Engine, B&S, 14hp W/starter	1
2	N/A	Instl, Hardware, Powertrain (includes items 3 through 6)	1
3	603 00 12-92	Bolt, Flange Head, M12 X 1.75 X 70	2
4	603 00 15-86	Nut Flg M10 X 1.5 Nylon	4
5	525 32 82-54	Weldment, Subframe, Powertrain	1
6	603 00 04-48	Bolt, M10 X 1.50 X 65	4

7

G

7
G



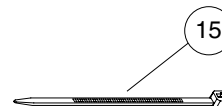
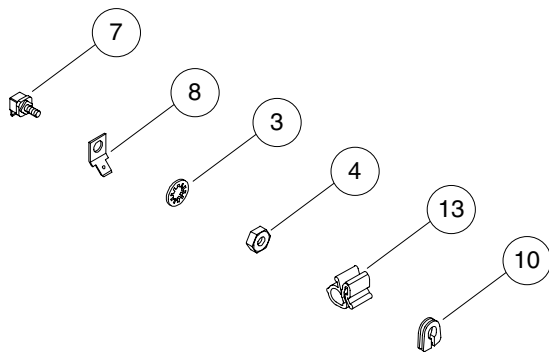
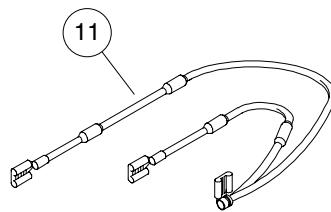
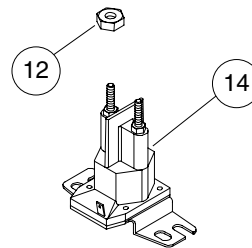
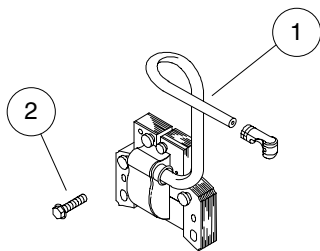
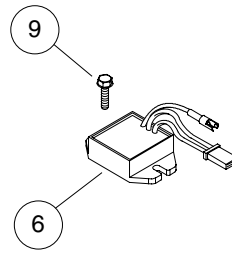
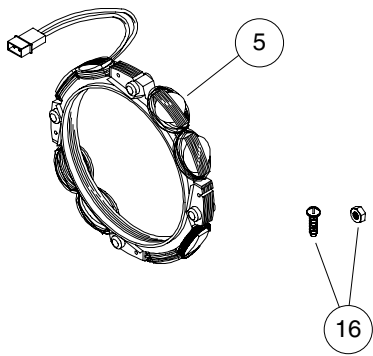
000889-010

ENGINE SHROUD

ITEM	PART NO.	DESCRIPTION	QTY
		1 2 3 4	
1	525 77 73-01	Screw, Back Plate	4
2	525 77 94-01	Housing, Blower	1
3	525 77 95-01	Screw, Housing, Blower	6
4	525 77 99-01	Screw, Cylinder Head Cover, 1	6
5	525 78 16-01	Screw, Air Guide Cover	10
6	525 78 24-01	Screw, Carburetor Cover	2
7	525 78 37-01	Plate, Back, B & S 14 Hp	1
8	525 78 48-01	Washer, Cylinder Head Cover, 1	6
9	525 78 57-01	Cover, Starter Drive	1
10	525 78 59-01	Screw, Starter Drive Cover, 1	1
11	525 78 60-01	Screw, Starter Drive Cover, 2	1
12	525 78 74-01	Cover, Air Guide, 1	1
13	525 78 75-01	Cover, Air Guide, 2	1
14	525 78 78-01	Cover, Carburetor	1
15	525 79 00-01	Label, Emissions (not shown)	1
16	525 79 02-01	Plug, Blower, Housing	1

7
G

7
G



000889-014

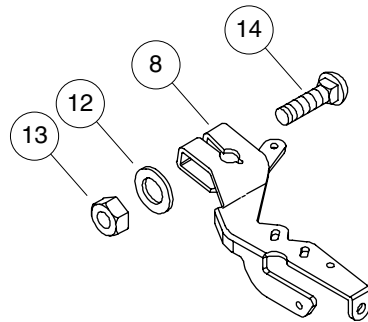
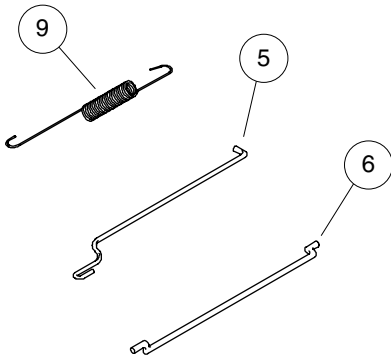
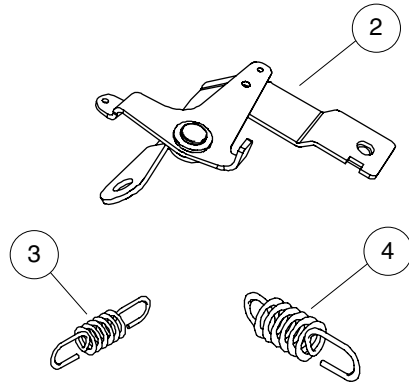
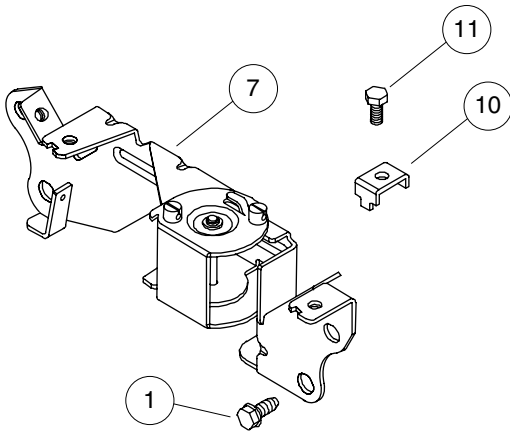
ELECTICAL COMPONENTS – ENGINE

ITEM	PART NO.	DESCRIPTION	QTY
		1 2 3 4	
1	525 78 01-01	Armature, Magneto	1
2	525 78 02-01	Screw, Magneto Armature	1
3	525 78 06-01	Washer, Ground Terminal	1
4	525 78 08-01	Nut, Ground Terminal	1
5	525 78 19-01	Alternator, 10 - 16 Amp	1
6	525 78 21-01	Regulator	1
7	525 78 25-01	Insulator, B&s 14 Hp	1
8	525 78 27-01	Terminal, Ground	1
9	525 78 31-01	Screw, Regulator	2
10	525 78 32-01	Grommet, B & S 14 Hp	1
11	525 78 38-01	Assembly, Wire, 2	1
12	525 78 52-01	Nut, Starter Solenoid	2
13	525 78 58-01	Clip, Wire	1
14	525 78 80-01	Solenoid, Starter	1
15	525 79 04-01	Tie, Cable	1
16	525 79 05-01	Kit, Screw & Washer	1

7

G

7
G



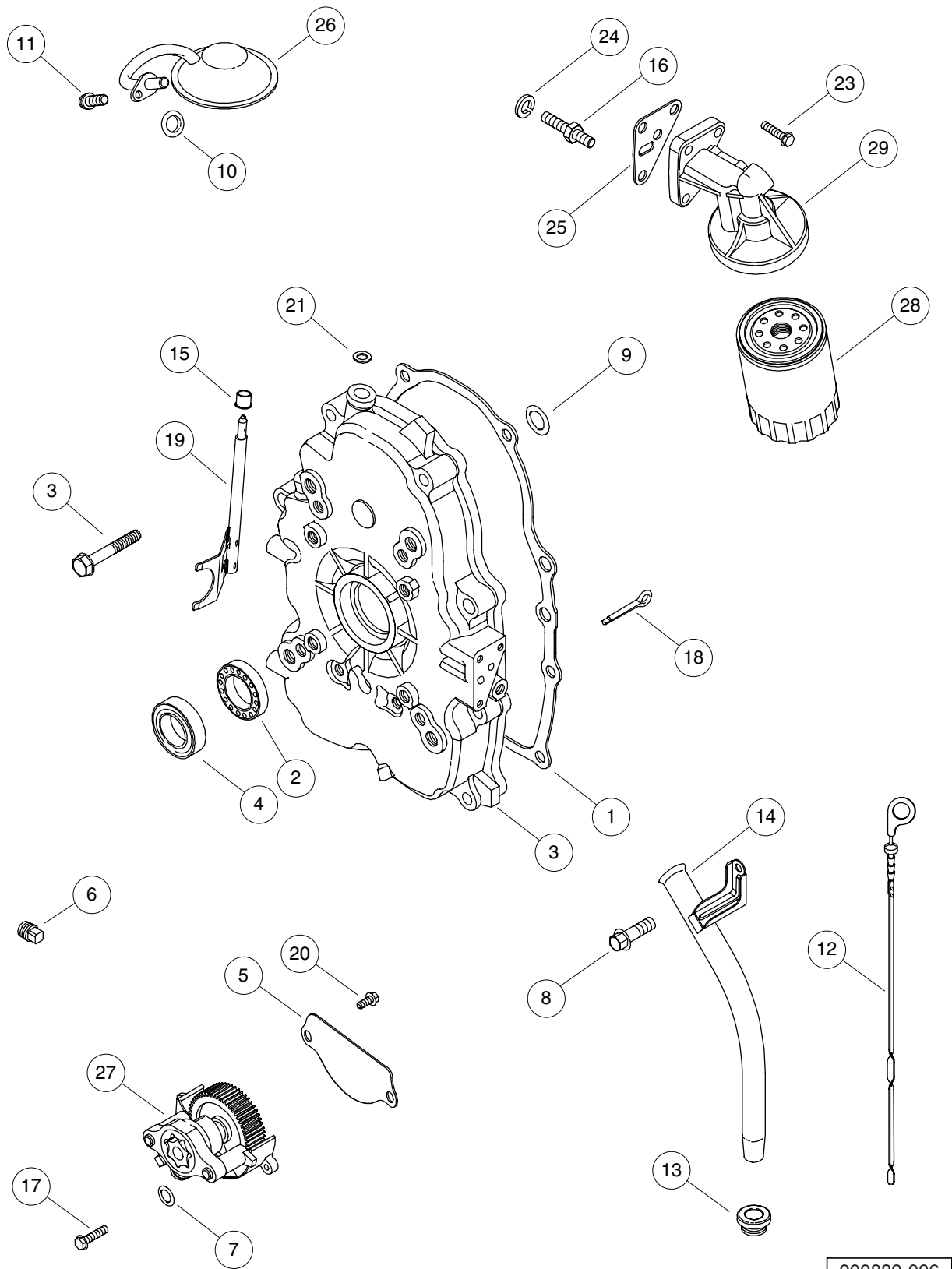
000889-013

GOVERNOR CONTROL BRAKETS AND SPRINGS

ITEM	PART NO.	DESCRIPTION	QTY
		1 2 3 4	
1	525 77 71-01	Screw, Control Bracket	4
2	525 77 74-01	Crank, Bell	1
3	525 77 75-01	Spring, Governor	1
4	525 77 76-01	Spring, Governor Idle	1
5	525 77 77-01	Link, Throttle	1
6	525 77 78-01	Link, Choke	1
7	525 77 79-01	Bracket, Control	1
8	525 77 80-01	Lever, Governor Control	1
9	525 77 82-01	Spring, Governor Link	1
10	525 77 86-01	Clamp, Casing	1
11	525 77 87-01	Screw, Casing Clamp	1
12	525 77 92-01	Washer, Gov Control Lever	1
13	525 78 23-01	Nut, Governor Control Lever	1
14	525 78 34-01	Bolt, Governor Control Lever	1

7

G



000889-006

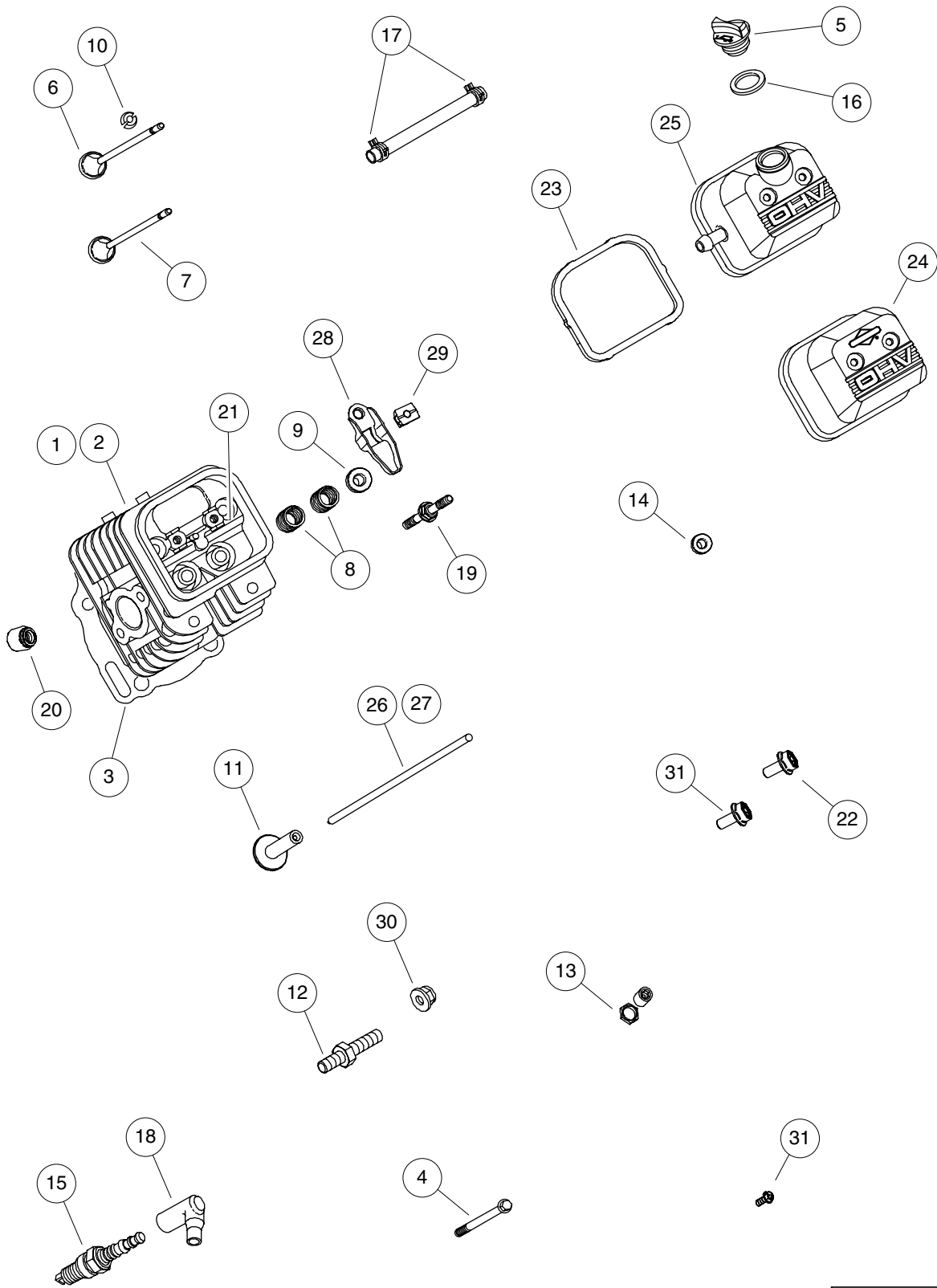
OIL PUMP, OIL FILTER AND CRANKCASE COVER

ITEM	PART NO.	DESCRIPTION	QTY
		1 2 3 4	
1	525 77 15-01	Gasket, Crankcase	1
2	525 77 19-01	Bearing, Ball	1
3	525 77 20-01	Cover, Crankcase	1
4	525 77 21-01	Seal, Oil, Pto Side	1
5	525 77 36-01	Deflector, Oil	1
6	525 77 47-01	Plug, Oil	1
7	525 77 88-01	Seal, O Ring, Oil Pump	1
8	525 77 93-01	Screw, Dipstick Tube	1
9	525 78 14-01	Seal, O Ring, Crankcase Cover	1
10	525 78 18-01	Seal, O Ring, Oil Pump Screen	1
11	525 78 20-01	Screw, Oil Pump Screen	1
12	525 78 28-01	Dipstick, B & S 14 Hp	1
13	525 78 29-01	Seal, Dipstick Tube	1
14	525 78 30-01	Tube, Dipstick	1
15	525 78 33-01	Bushing, Gov Crank, 2	1
16	525 78 35-01	Stud, Oil Filter Adapter	3
17	525 78 39-01	Screw, Oil Pump	2
18	525 78 43-01	Retainer, Governor Shaft	1
19	525 78 44-01	Crank, Governor	1
20	525 78 50-01	Screw, Oil Deflector	2
21	525 78 53-01	Seal, Governor Shaft	1
22	525 78 55-01	Cover, Oil Filter, B&S 14 Hp (not shown)	1
23	525 78 61-01	Screw, Oil Filter Adapter	3
24	525 78 70-01	Washer, Oil Filter Adapter	3
25	525 78 87-01	Gasket, Oil Adapter, 1	1
26	525 78 89-01	Screen, Oil Pump	1
27	525 78 93-01	Pump, Oil	1
28	525 78 97-01	Filter, Oil	1
29	525 78 98-01	Adpter, Oil Filter	1

7

G

7
G



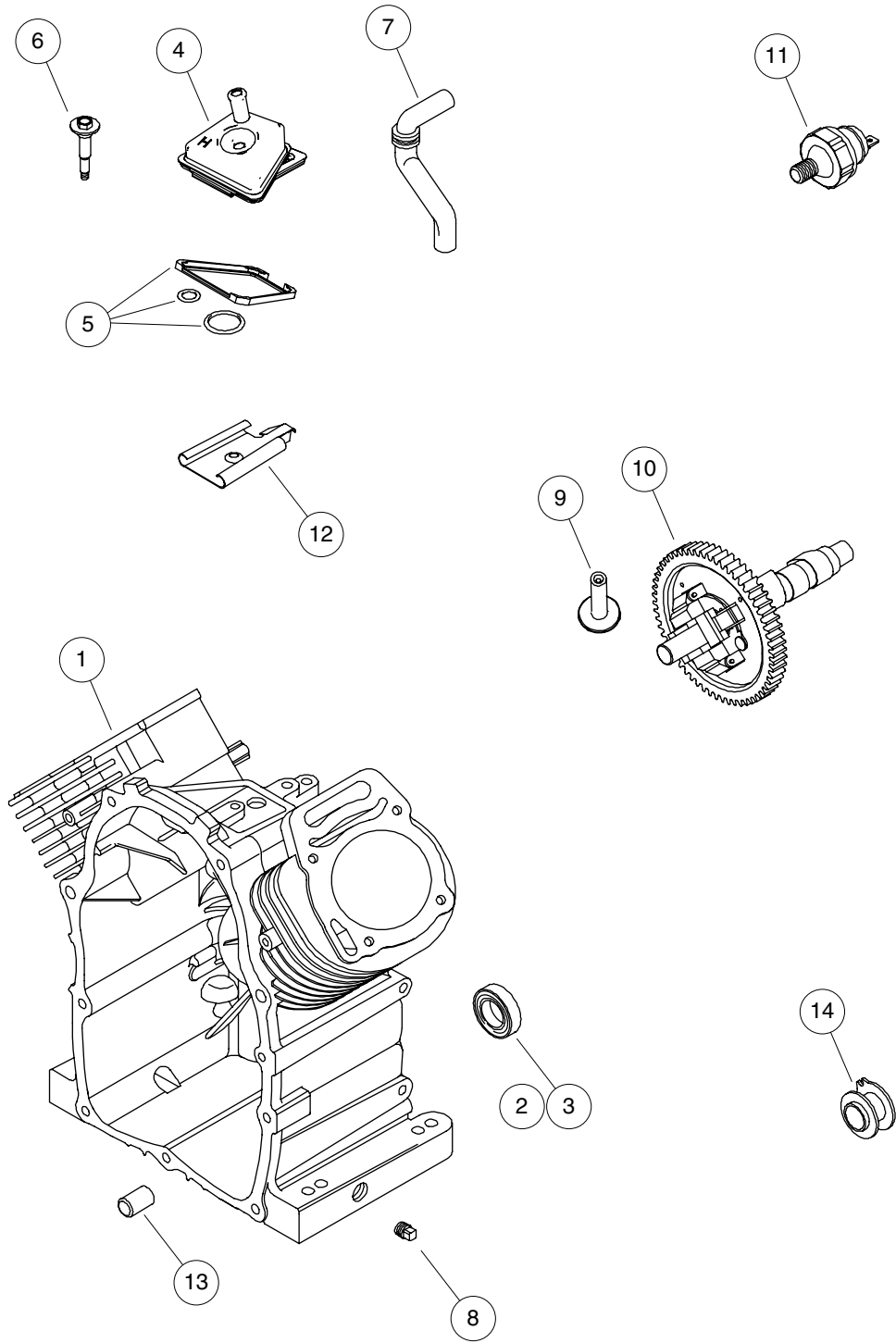
000903-002

CYLINDER HEAD & VALVES

ITEM	PART NO.	DESCRIPTION	QTY
		1 2 3 4	
1	525 77 08-01	Head, Cylinder, 1	1
2	525 77 09-01	Head, Cylinder, 2	1
3	525 77 10-01	Gasket, Cylinder Head	2
4	525 77 16-01	Screw, Cylinder Head	8
5	525 77 22-01	Cap, Oil Fill	1
6	525 77 33-01	Valve, Exhaust	2
7	525 77 34-01	Valve, Intake	2
8	525 77 35-01	Spring Valve, B&s 14 Hp	4
9	525 77 37-01	Retainer, Valve	4
10	525 77 38-01	Keeper, Valve	4
11	525 77 39-01	Tappet, Valve	4
12	525 77 68-01	Stud, Exhaust Manifold	4
13	525 77 72-01	Adjuster, Rocker Arm	4
14	525 77 89-01	Washer, Sealing, Rocker, Cover	4
15	525 78 03-01	Plug, Sprak, B&s 14 Hp	2
16	525 78 04-01	Gasket, Dipstick	1
17	525 78 41-01	Clamp, Hose, 1	2
18	525 78 47-01	Boot, Spark Plug	2
19	525 78 71-01	Stud, Rocker Arm, B & S 14 Hp	4
20	525 78 76-01	Seal, Valve	4
21	525 78 77-01	Bushing, Valve Guide	4
22	525 78 85-01	Screw, Ac Base To Cart, 1	1
23	525 78 90-01	Gasket, Rocker Cover	2
24	525 78 91-01	Cover, Rocker, 1	1
25	525 78 92-01	Cover, Rocker, 2	1
26	525 78 95-01	Rod, Push, Intake, Steel	2
27	525 78 96-01	Rod, Push, Exhaust, Aluminum	2
28	525 78 99-01	Arm, Rocker	4
29	525 79 08-01	Pivot, Rocker Arm, B&s 14 Hp	4
30	525 79 09-01	Nut, Exhaust Manifold	4
31	525 79 10-01	Screw, Rocker Cover Stud	4

7
G

7
G

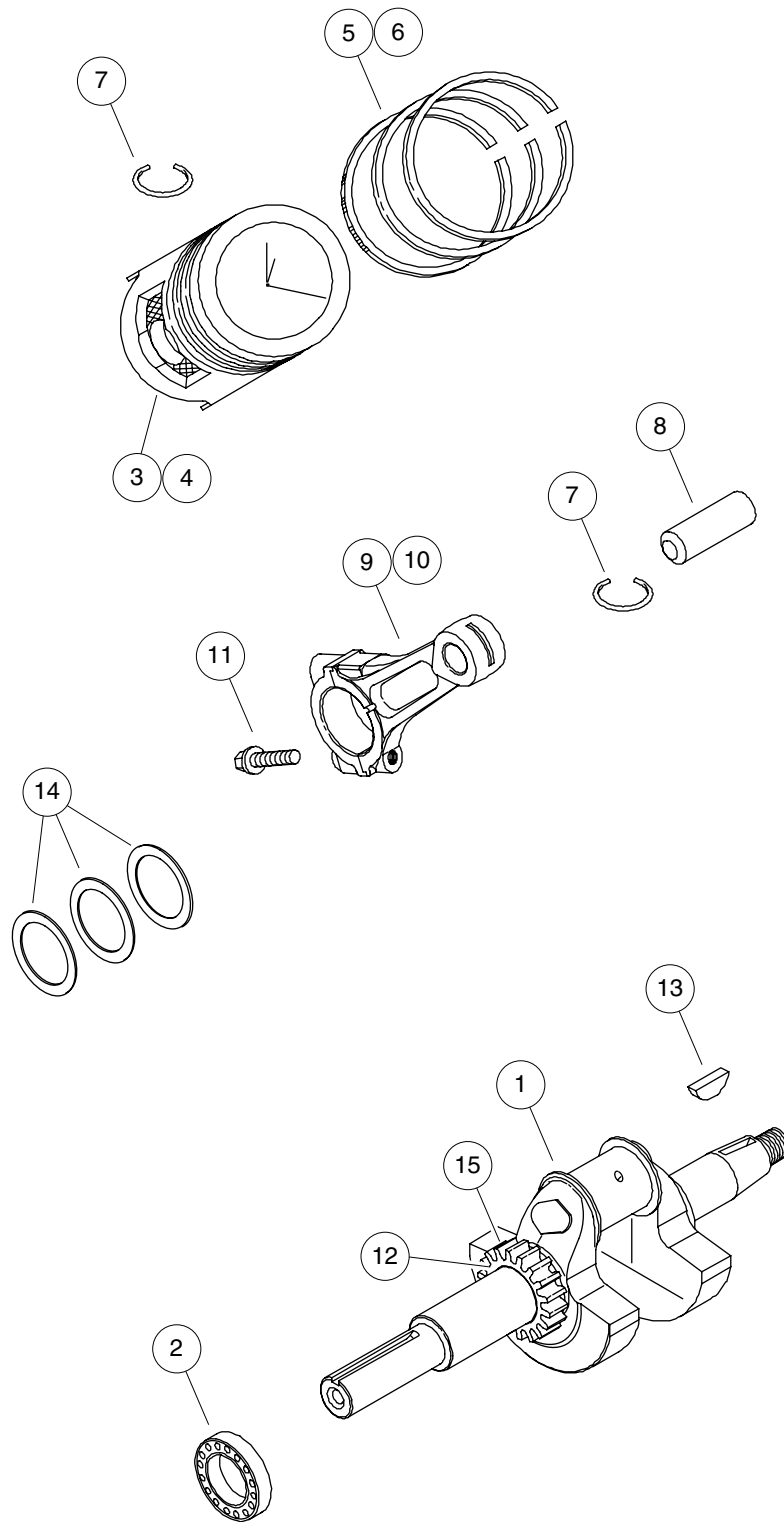


000903-001

CYLINDER ASSEMBLY

ITEM	PART NO.	DESCRIPTION	QTY
		1 2 3 4	
1	525 77 05-01	Assembly, Cylinder	1
2	525 77 06-01	Kit, Bush & Seal, Magneto Side	1
3	525 77 07-01	Seal, Oil, Magneto Side	1
4	525 77 11-01	Assembly, Breather	1
5	525 77 12-01	Gasket, Breather	1
6	525 77 13-01	Screw, Breather Assembly	1
7	525 77 14-01	Tube, Breather	1
8	525 77 17-01	Plug, Oil Drain	1
9	525 77 39-01	Tappet, Valve	4
10	525 77 40-01	Camshaft	1
11	525 77 83-01	Switch, Oil Pressure, B&s 14hp	1
12	525 78 36-01	Baffle, Breather	1
13	525 78 56-01	Pin, Locating	2
14	525 78 94-01	Spool, Governor	1

7
G

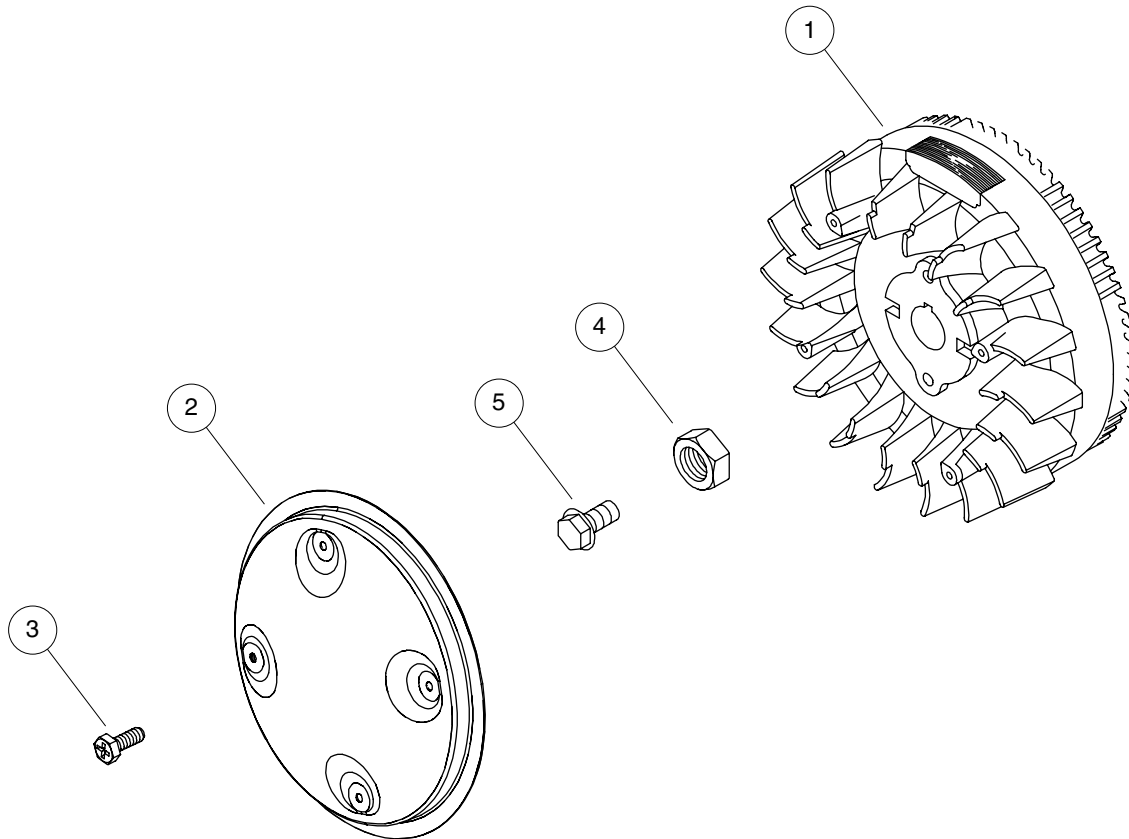


000903-003

CRANKSHAFT AND PISTONS

ITEM	PART NO.	DESCRIPTION	QTY
		1 2 3 4	
1	525 77 18-01	Crankshaft, B&s 14 Hp	1
2	525 77 19-01	Bearing, Ball	1
3	525 77 24-01	Assembly, Piston	2
4	525 77 25-01	Assembly, Piston,.020"over	2
5	525 77 26-01	Set, Ring	2
6	525 77 27-01	Set, Ring, .020" Oversize	2
7	525 77 28-01	Lock, Piston Pin	2
8	525 77 29-01	Piston, Pin	2
9	525 77 30-01	Rod, Connecting	2
10	525 77 31-01	Rod, Connection, .020"under	2
11	525 77 32-01	Screw, Connecting Rod	4
12	525 77 67-01	Key, Timing	1
13	525 78 09-01	Key, Woodruff	1
14	525 78 40-01	Shim, Bearing End Play	1
15	525 78 62-01	Gear, Timing	1

7
G



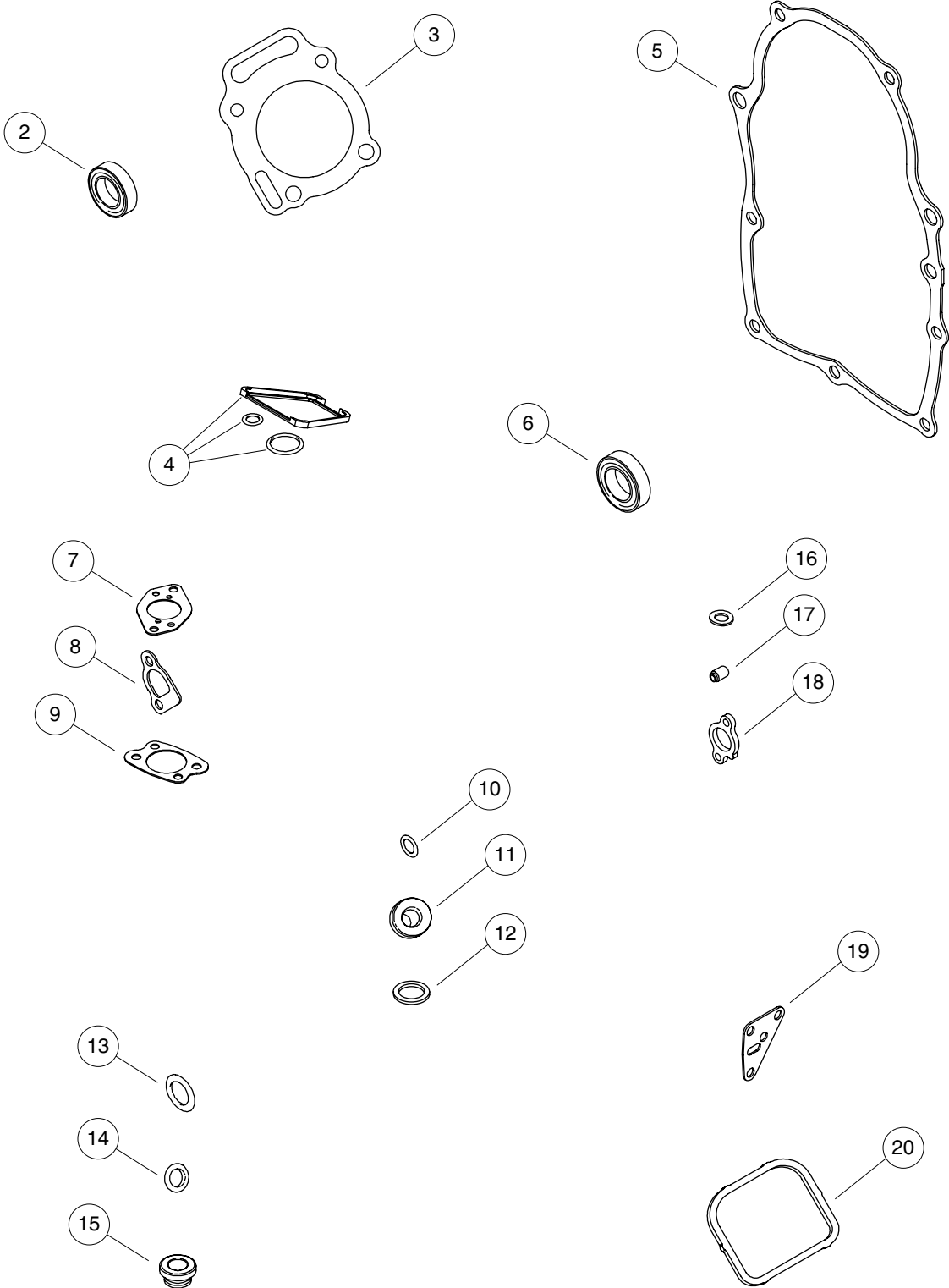
000889-011

FLYWHEEL

ITEM	PART NO.	DESCRIPTION	QTY
		1 2 3 4	
1	525 77 23-01	Flywheel, B&S 14 Hp	1
2	525 77 45-01	Screen, Rotating	1
3	525 77 46-01	Screw, Rotating Screen	4
4	525 78 00-01	Nut, Flywheel	1
5	525 79 01-01	Screw, Flywheel	1

7
G

7
G

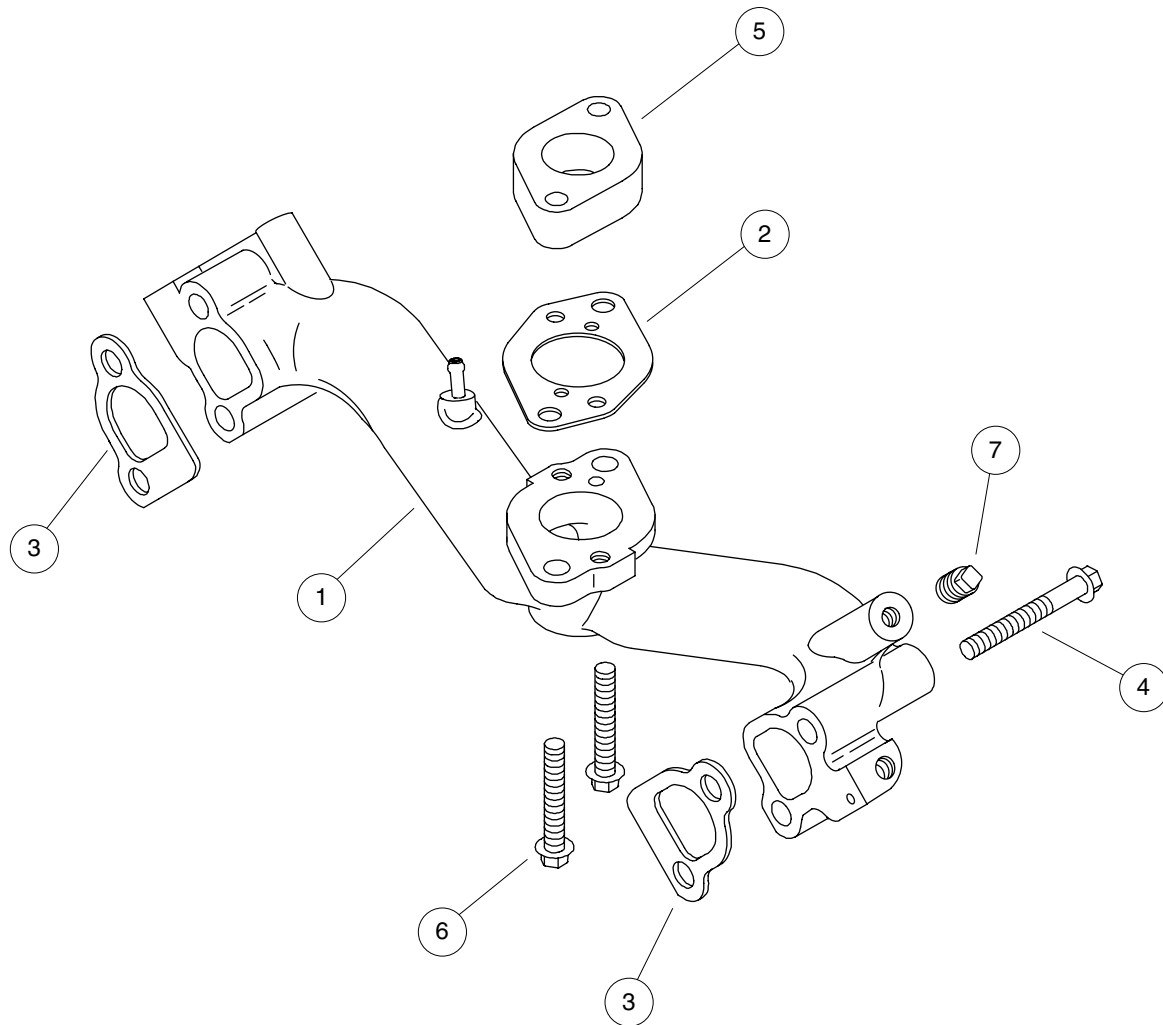


000889-002

ENGINE GASKETS AND SEALS

ITEM	PART NO.	DESCRIPTION	QTY
		1 2 3 4	
1	525 78 05-01	Gasket, Set, Engine (includes items 2 through 20)	1
2	525 77 07-01	Seal, Oil, Magneto Side	1
3	525 77 10-01	Gasket, Cylinder Head	2
4	525 77 12-01	Gasket, Breather	1
5	525 77 15-01	Gasket, Crankcase	1
6	525 77 21-01	Seal, Oil, Pto Side	1
7	525 77 42-01	Gasket, Intake, Manifold-carb	1
8	525 77 43-01	Gasket, Intake	2
9	525 77 70-01	Gasket, Air Cleaner	1
10	525 77 88-01	Seal, O Ring, Oil Pump	1
11	525 77 89-01	Washer, Sealing, Rocker, Cover	4
12	525 78 04-01	Gasket, Dipstick	1
13	525 78 14-01	Seal, O Ring, Crankcase Cover	1
14	525 78 18-01	Seal, O Ring, Oil Pump Screen	1
15	525 78 29-01	Seal, Dipstick Tube	1
16	525 78 53-01	Seal, Governor Shaft	1
17	525 78 76-01	Seal, Valve	4
18	525 78 79-01	Gasket, Exhaust	2
19	525 78 87-01	Gasket, Oil Adapter, 1	1
20	525 78 90-01	Gasket, Rocker Cover	2

7
G



000889-005

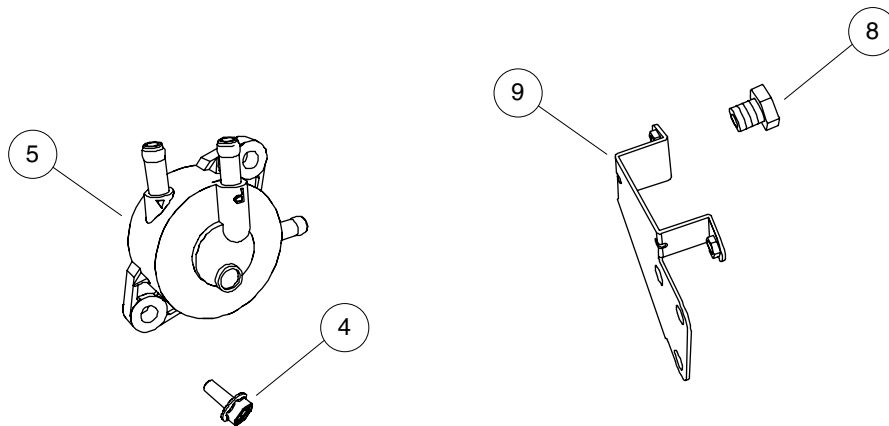
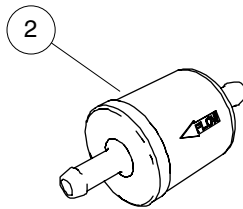
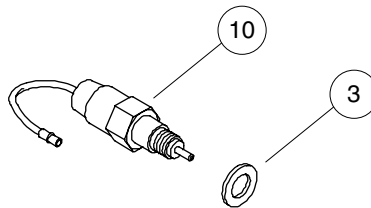
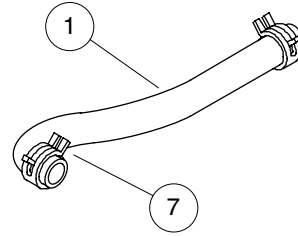
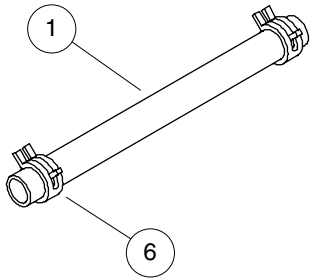
INTAKE MANIFOLD

ITEM	PART NO.	DESCRIPTION	QTY
		1 2 3 4	
1	525 77 41-01	Manifold, Intake	1
2	525 77 42-01	Gasket, Intake, Manifold-carb	1
3	525 77 43-01	Gasket, Intake	2
4	525 77 44-01	Screw, Intake Manifold	4
5	525 77 63-01	Spacer, Carburetor	1
6	525 78 07-01	Screw, Carburetor	2
7	525 78 13-01	Plug, B & S 14 Hp	1

7

G

7
G



000889-012

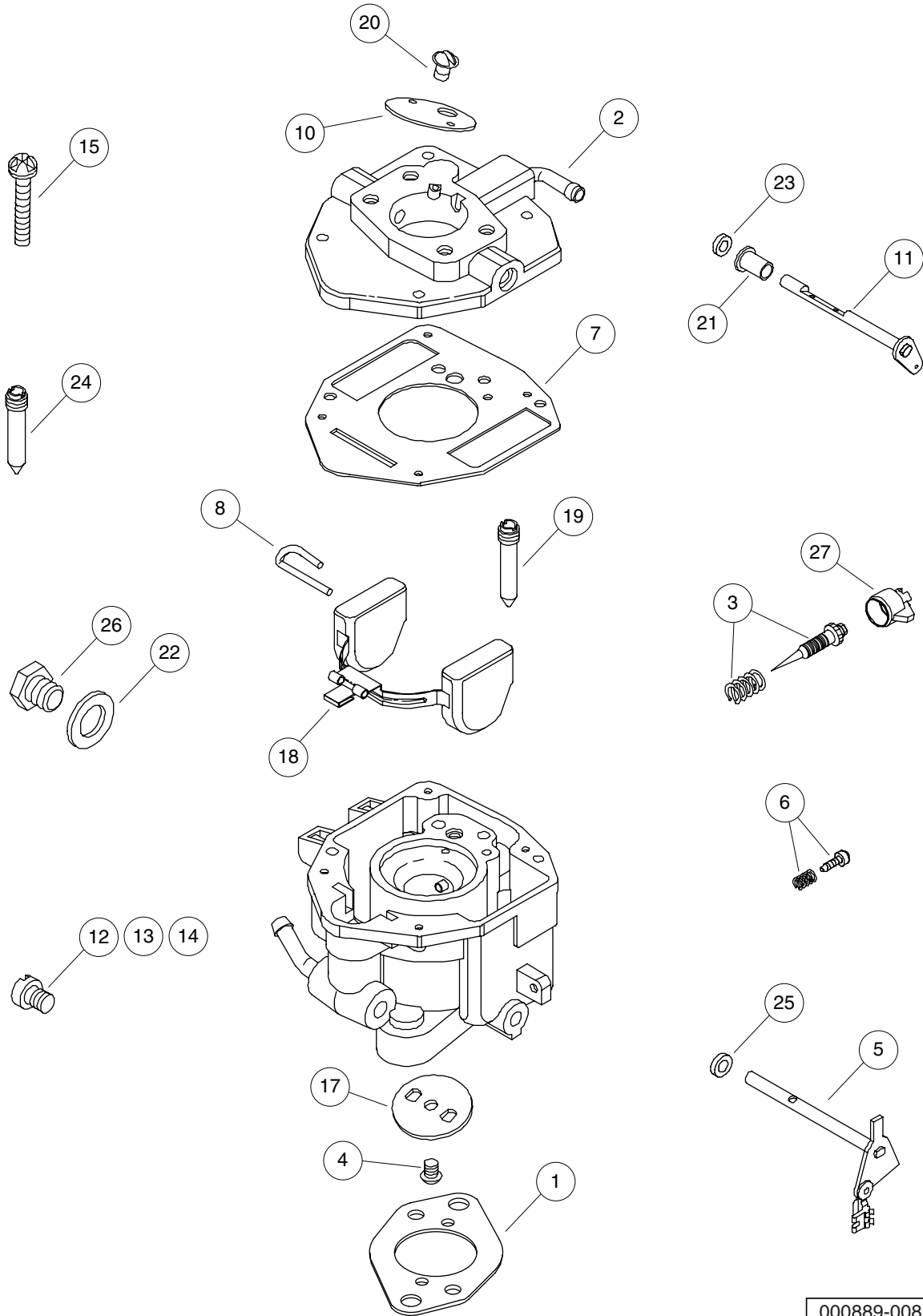
FUEL PUMP AND FILTER

ITEM	PART NO.	DESCRIPTION	QTY
		1 2 3 4	
1	531 30 95-42	Fuel Line	1
2	525 77 84-01	Filter, Fuel, B & S 14 Hp	1
3	525 77 91-01	Washer, Sealing, Solenoid	1
4	525 78 10-01	Screw, Fuel Pump	2
5	525 78 11-01	Pump, Fuel	1
6	525 78 41-01	Clamp, Hose, 1	2
7	525 78 42-01	Clamp, Hose, 2	2
8	525 78 45-01	Screw, Fuel Pump Bracket	3
9	525 78 63-01	Bracket, Fuel Pump	1
10	525 78 81-01	Solenoid, Fuel	1

7

G

7
G

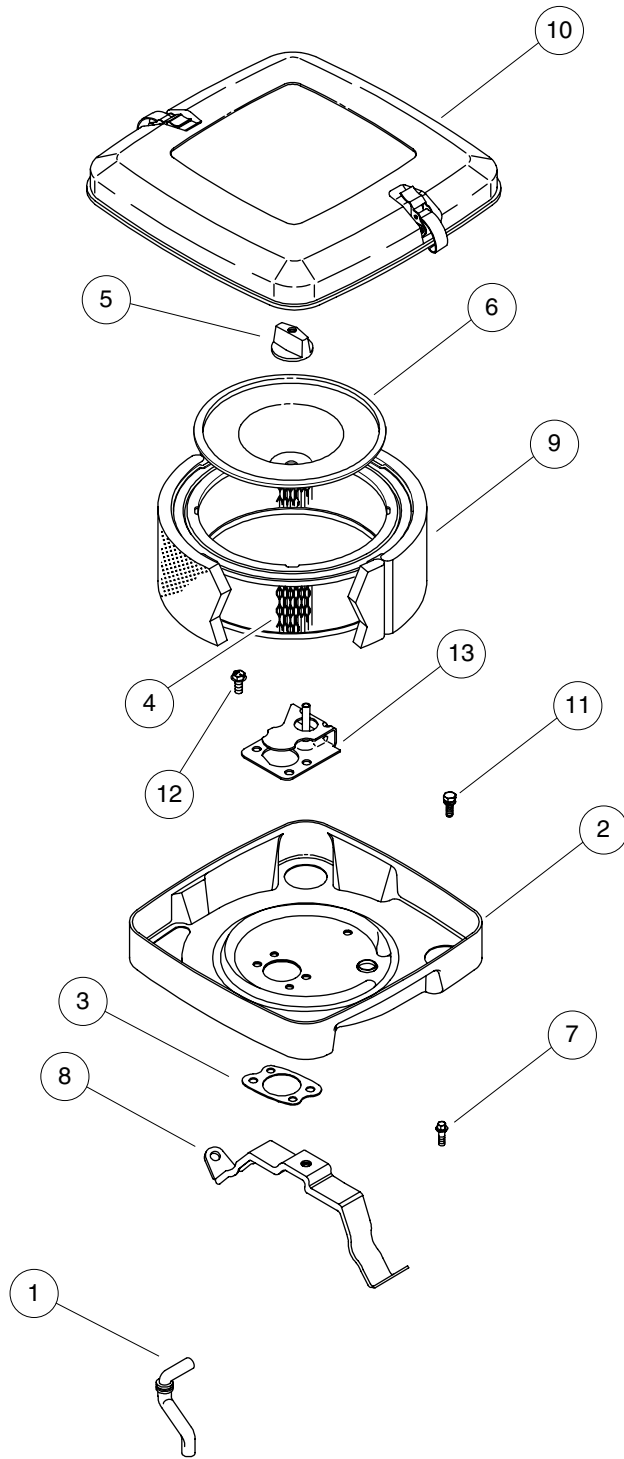


000889-008

CARBURETOR

7
G

ITEM	PART NO.	DESCRIPTION	QTY
		1 2 3 4	
1	525 77 42-01	Gasket, Intake, Manifold-carb	1
2	525 77 48-01	Body, Upper Carburetor	1
3	525 77 49-01	Kit, Idle Mixture	1
4	525 77 50-01	Screw, Throttle Valve	1
5	525 77 51-01	Shaft, Throttle	1
6	525 77 52-01	Kit, Idle Speed	1
7	525 77 53-01	Gasket, Carburetor Body	1
8	525 77 54-01	Pin, Float Hinge	1
9	525 77 55-01	Valve, Float Needle	1
10	525 77 56-01	Valve, Choke	1
11	525 77 57-01	Shaft, Choke	1
12	525 77 58-01	Jet, Main, 0-5000 Ft (0-1500m)	1
13	525 77 59-01	Jet, Main, 5000-9000 Ft (1500-2700m)	1
14	525 77 60-01	Jet, Main, 9000-up Ft (2700m-up)	1
15	525 77 61-01	Screw, Carb Body	4
16	525 77 62-01	Kit, Carburetor Overhaul	1
17	525 77 64-01	Valve, Throttle	1
18	525 77 65-01	Float, Carburetor	1
19	525 77 66-01	Nozzle, Carburetor, Standard	1
20	525 77 81-01	Screw, Choke Valve	1
21	525 77 85-01	Bushing, Choke Shaft	1
22	525 77 90-01	Washer, Sealing, Carb Plug	1
23	525 78 46-01	Seal, Choke & Throttle Shaft	1
24	525 78 51-01	Kit, Needle & Seat	1
25	525 78 69-01	Spacer, Throttle	1
26	525 78 82-01	Plug, Carburetor	1
27	525 79 07-01	Cap, Limiter	1



000889-007

AIR CLEANER

ITEM	PART NO.	DESCRIPTION	QTY
		1 2 3 4	
1	525 77 14-01	Tube, Breather	1
2	525 77 69-01	Base, Air Cleaner, Metal	1
3	525 77 70-01	Gasket, Air Cleaner	1
4	525 78 15-01	Filter, Air Cleaner Cartridge	1
5	525 78 17-01	Knob, Air Cleaner	1
6	525 78 49-01	Retainer, Air Filter	1
7	525 78 72-01	Screw, Ac Mounting Strap	2
8	525 78 73-01	Strap, Ac Mounting	1
9	525 78 83-01	Filter, Pre Cleaner	1
10	525 78 84-01	Cover, Air Cleaner	1
11	525 78 85-01	Screw, Ac Base To Cart, 1	4
12	525 78 86-01	Screw, Ac Base To Cart, 2	4
13	525 78 88-01	Shield, Carburetor	1

7
G

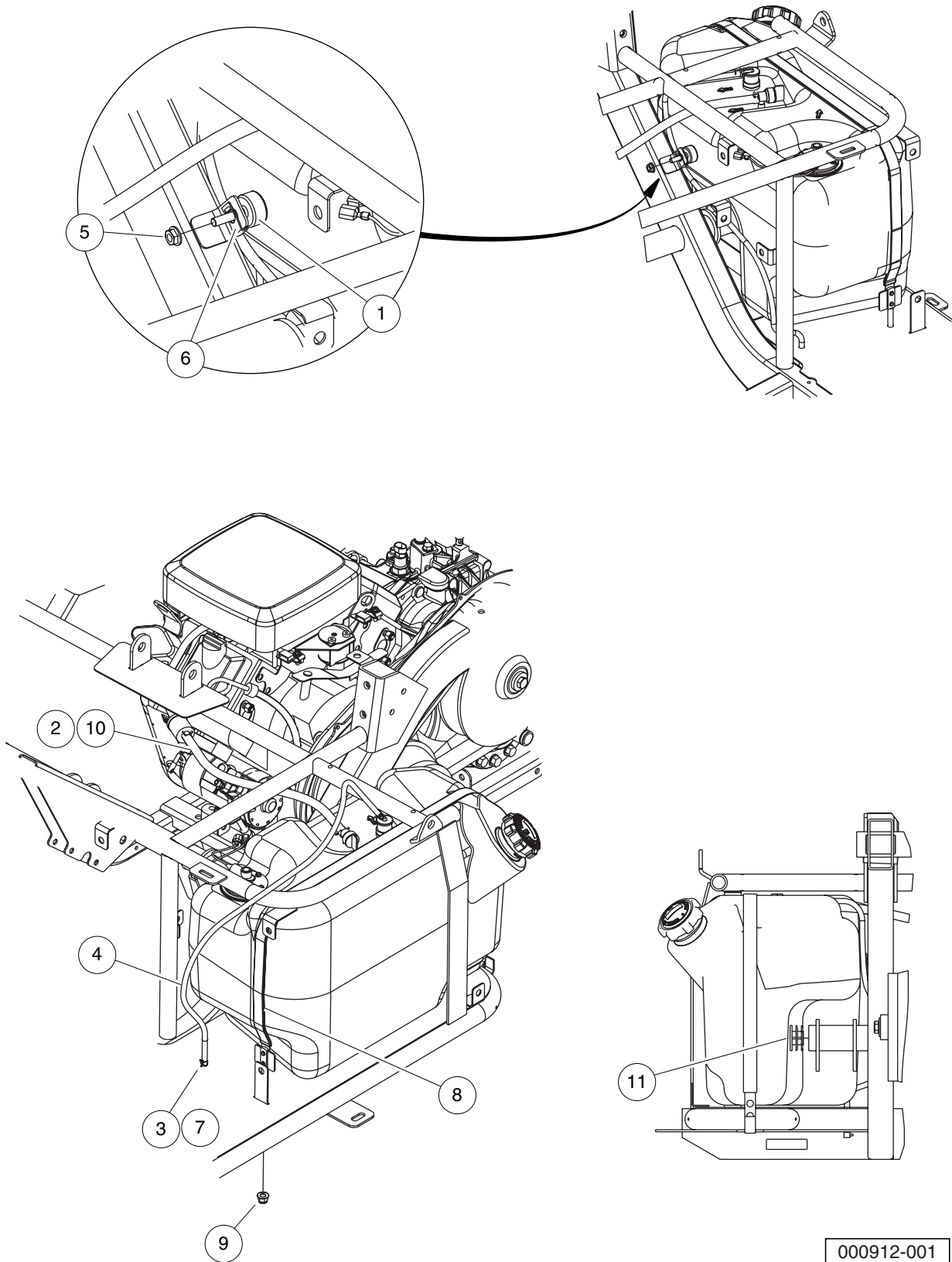
7

G

FUEL SYSTEM

8

G

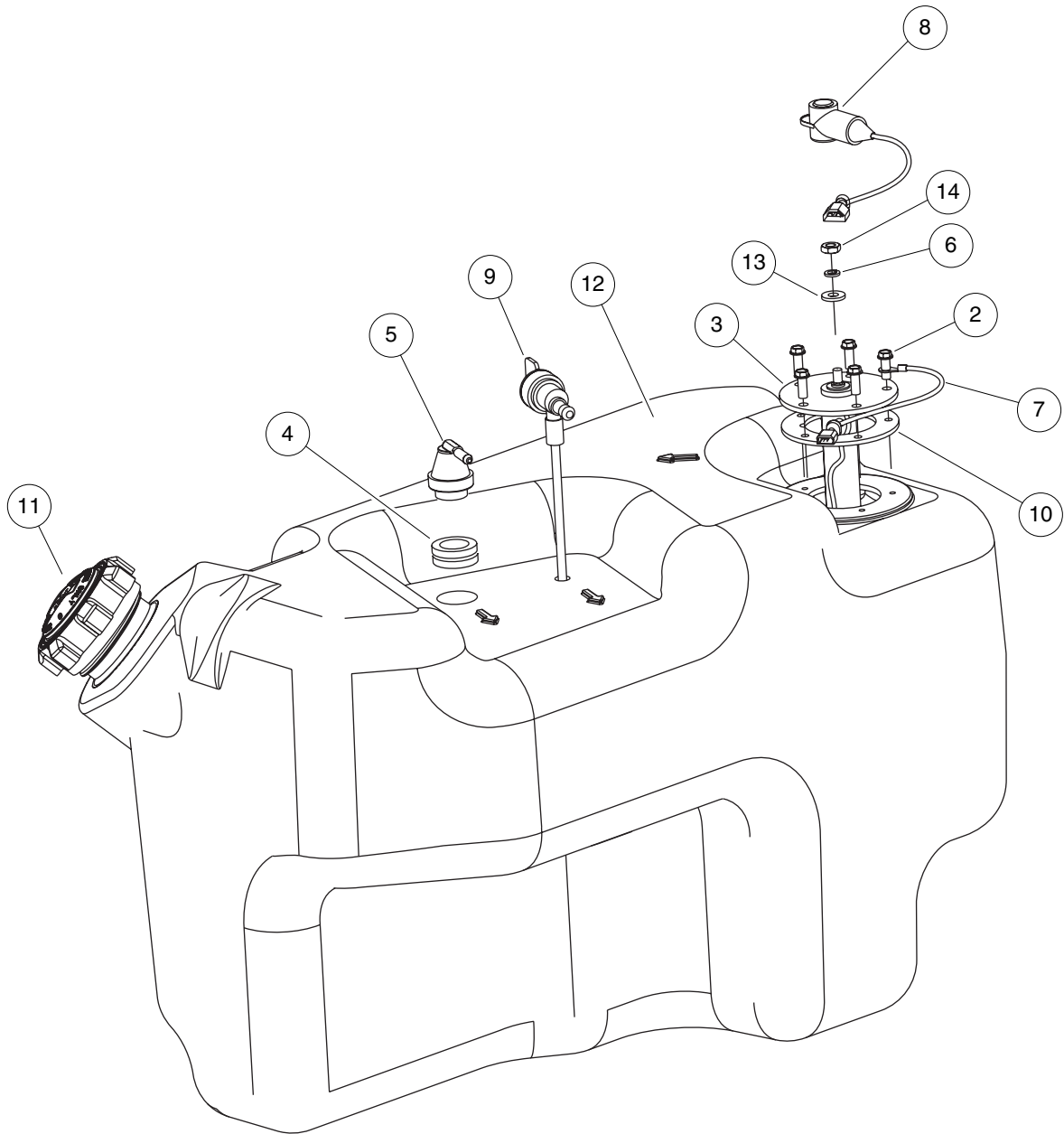


000912-001

FUEL SYSTEM

ITEM	PART NO.	DESCRIPTION	QTY
		1 2 3 4	
1	603 00 01-13	Bumper, Rubber	1
2	603 00 01-49	Clamp, 0.460 Red Hose	2
3	603 00 01-85	Clamp, 0.301 ID Hose	2
4	603 00 02-40	Fuel Line (available by the foot)	1
5	523 34 59-07	Nut, Lock Hx Flanged 1/4-20	1
6	603 00 31-54	U-Nut, 1/4-20	1
7	603 00 05-03	Vent Barb	1
8	603 00 10-00	Strap, Tank, Fuel	1
9	603 00 13-08	Lock Nut, Flg M8 X 1.25 Nylon	1
10	531 30 95-42	Fuel Line	1
11	525 79 50-01	Plug, Ribbed, Round, 1.5"	1

8
G



000883-001

FUEL TANK

8
G

ITEM	PART NO.	DESCRIPTION	QTY
		1 2 3 4	
1	N/A	Asm, Tank, Fuel (includes items 2 through 14)	1
2	603 00 01-73	Screw, #10-16 Hex-Head Hi-Lo	5
3	****	Sending Unit, Fuel Level *	1
4	603 00 02-41	Insulation Grommet	1
5	603 00 02-42	Vent, Fuel Tank	1
6	603 00 00-61	Lockwasher, #10 Split	1
7	N/A	Wire Asm, Blk, 170mm	1
8	N/A	Wire Asm, Org, 170mm	1
9	523 34 59-19	Valve - Fuel Pickup Tube	1
10	603 00 30-57	Gasket, Rubber	1
11	531 30 95-43	Cap, Fuel Tank, Gasoline	1
12	525 32 82-41	Tank, Fuel, Xrt950	1
13	603 00 00-51	Washer, #10 Type A Flat	1
14	603 00 00-97	Nut, #10-32 Brass Hex	1
		**** Special order item available upon request.	
		* Note: Must replace fuel sending unit gasket when servicing this component.	

8

G

Free Manuals Download Website

<http://myh66.com>

<http://usermanuals.us>

<http://www.somanuals.com>

<http://www.4manuals.cc>

<http://www.manual-lib.com>

<http://www.404manual.com>

<http://www.luxmanual.com>

<http://aubethermostatmanual.com>

Golf course search by state

<http://golfingnear.com>

Email search by domain

<http://emailbydomain.com>

Auto manuals search

<http://auto.somanuals.com>

TV manuals search

<http://tv.somanuals.com>