

 **Husqvarna**

Parts Manual

RZ4219 / 965881101

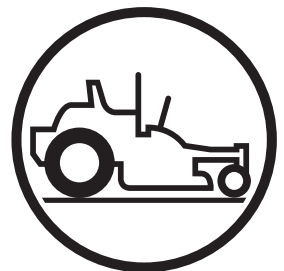
RZ4620 / 965881201

RZ5424 / 965881301

RZ5422 / 965881401

RZ4619 / 965921501

Please read the operator's manual carefully and make sure you understand the instructions before using the machine.



English

When you need spare parts or support in service questions, warranty issues, etc., please consult the following professional:

This Parts Manual belongs to the machine with the manufacturing number:	Engine	Transmission

Manufacturing Number

The machine's manufacturing number can be found on the printed plate affixed to the engine compartment.

Stated on the plate, from the top are:

- The machine's type designation (I.D.).
- The manufacturer's type number (Model).
- The machine's serial number (Serial no.)

Please have the type designation and serial number available when ordering spare parts.

The engine's manufacturing number is stamped on one of the valve covers.

The plate states:

- The engine's model.
- The engine's type.
- Code

Please have these available when ordering spare parts.

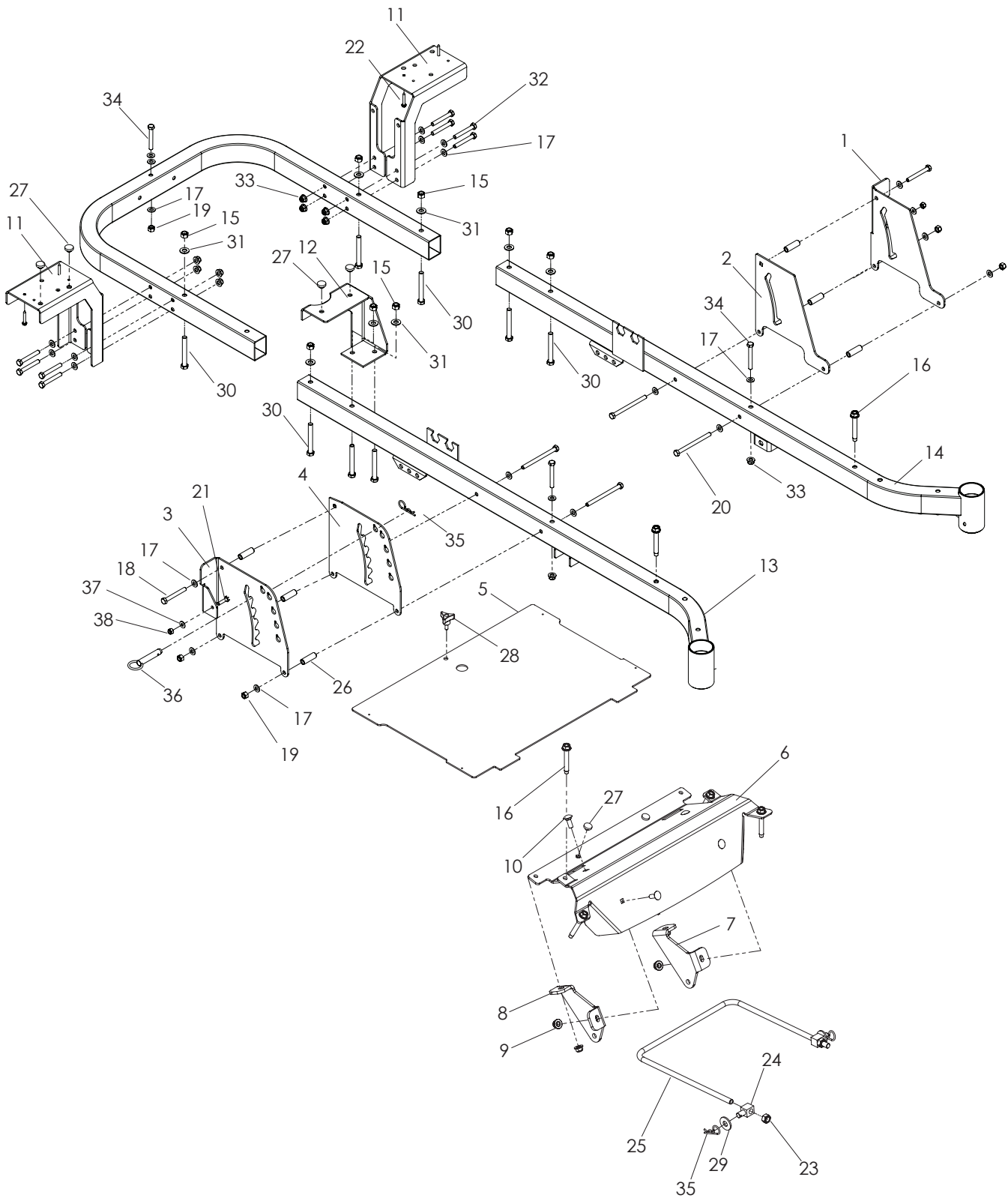
The wheel motors and hydrostatic pumps have a barcode decal affixed at the rear.

CONTENTS

CHASSIS / FRAME	4	BRAKE / LIFT	20
ENGINE PLATE		HYDRAULIC PUMP-MOTOR.....	22
965881101, 965921501.....	6	WHEELS AND TIRES	24
965881401	8	42" DECK	26
965881201	10	46" DECK	28
965881301	12	54" DECK	30
STEERING	14	SEAT	32
IGNITION		DECALS	34
965881101, 965921501	16		
965881201, 965881301, 965881401,	18		

NOTE: ALL FASTENERS ARE GRADE 5 UNLESS OTHERWISE SPECIFIED.

CHASSIS / FRAME

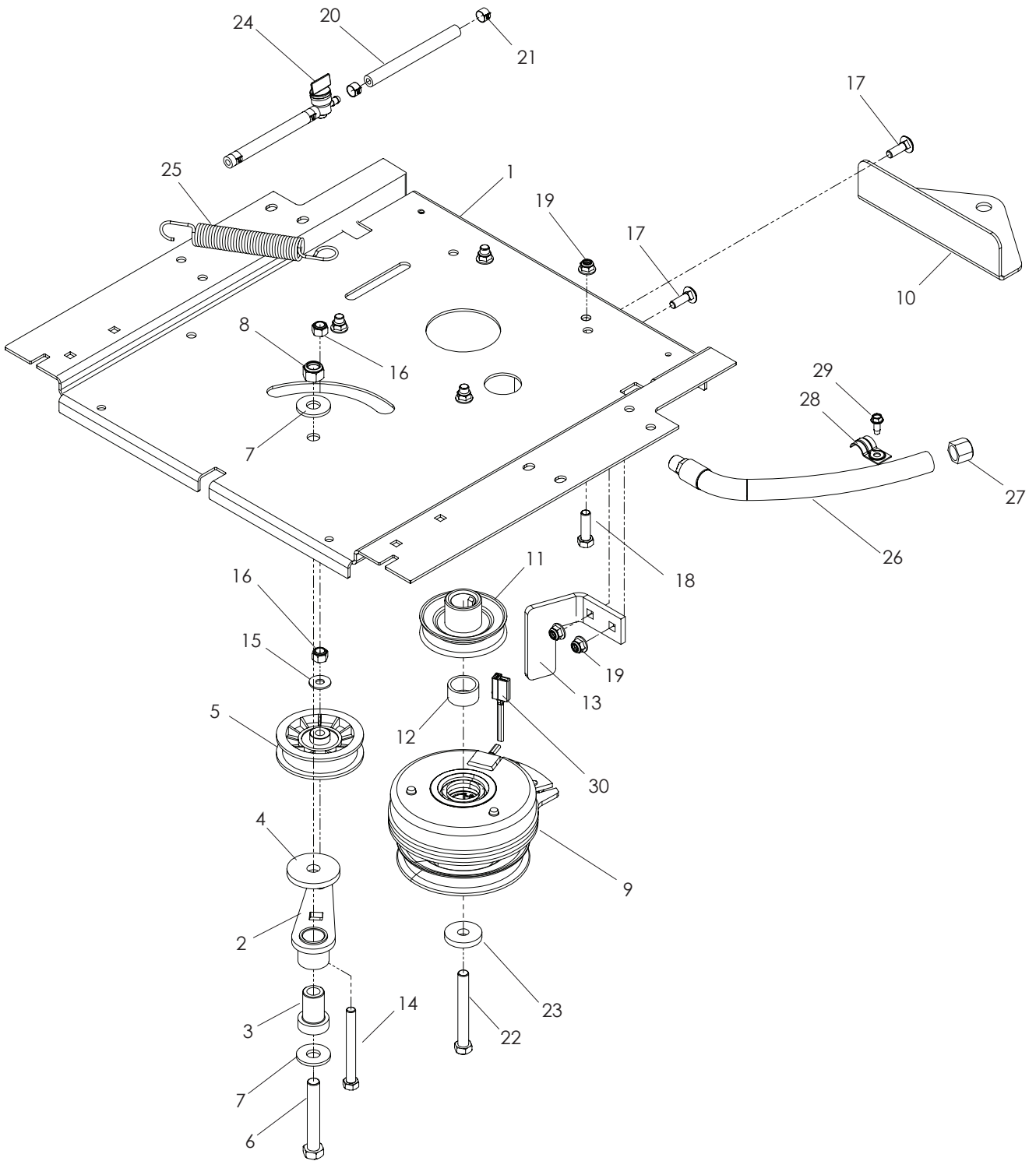


CHASSIS / FRAME

ITEM	PART NO.	QTY.	DESCRIPTION	ITEM	PART NO.	QTY.	DESCRIPTION
1..	510 261802....	1....	PLATE, OUTER BRAKE	20..	539 102335....	4....	HCS ⁵ / ₁₆ -18 x 4
2..	510 206703....	1....	PLATE, BRAKE LATCH	21..	539 977761....	2....	HCS ¼-20 x 1
3..	510 245602....	1....	PLATE, DECK HEIGHT	22..	539 110674....	4....	SCREW 10-12 x 1¼ WSH HD
4..	510 240502....	1....	PLATE, DECK HEIGHT	23..	539 119124....	2....	NUT ⁷ / ₁₆ -14 HEX NYLOC
5..	522 842902....	1....	FOOT PLATE w/DECALS	24..	539 114789....	2....	SWIVEL
6..	522 719504....	1....	FOOT REST	25..	521 938101....	1....	LINK, FRONT SUSPENSION
7..	522 443302....	1....	MOUNT, STRUT, RT, BLK	26..	515 988101....	6....	SPACER ½ OD x 1½
8..	522 443304....	1....	MOUNT, STRUT, LT, BLK	27..	539 102587....	6....	GROMMET, BUMPER
9..	521 996501....	4....	NUT ³ / ₈ -16 HEX FLG NYLOC	28..	539 104411....	1....	KNOB w/STUD
10..	539 990645....	4....	RHSNB ³ / ₈ -16 x 1	29..	539 109554....	2....	WASHER ½ FLAT
11..	510 225902....	2....	SUPPORT, FENDER	30..	539 101341....	8....	HCS ³ / ₈ -16 x 3
12..	510 226002....	1....	SUPPORT, TANK	31..	539 990122....	8....	WASHER ³ / ₈ SAE FLT
13..	510 177503....	1....	FRAME, FRONT RT	32..	539 976938....	8....	HCS ⁵ / ₁₆ -18 x 2¼
14..	510 177403....	1....	FRAME, FRONT LT	33..	539 112899..	10....	NUT ⁵ / ₁₆ -18 FLANGE NYLOC
15..	539 976979..	16....	NUT ³ / ₈ -16 HEX NYLOC	34..	539 101721....	3....	HCS ⁵ / ₁₆ -18 x 2¾
16..	539 111976....	6....	BOLT ³ / ₈ -16 x 2 ⁵ / ₈ THD FRM	35..	539 976989....	3....	#4 HAIRPIN
17..	539 990188..	20....	WASHER ⁵ / ₁₆ SAE FLAT	36..	539 102526....	1....	PIN, LIFT
18..	539 991046....	2....	HCS ⁵ / ₁₆ -18 x 2½	37..	539 990055....	2....	WASHER ¼ FLAT SAE
19..	539 990717....	5....	NUT ⁵ / ₁₆ -18 HEX NYLOC	38..	539 976978....	2....	NUT ¼-20 HEX NYLOC

ENGINE PLATE

965881101, 965921501

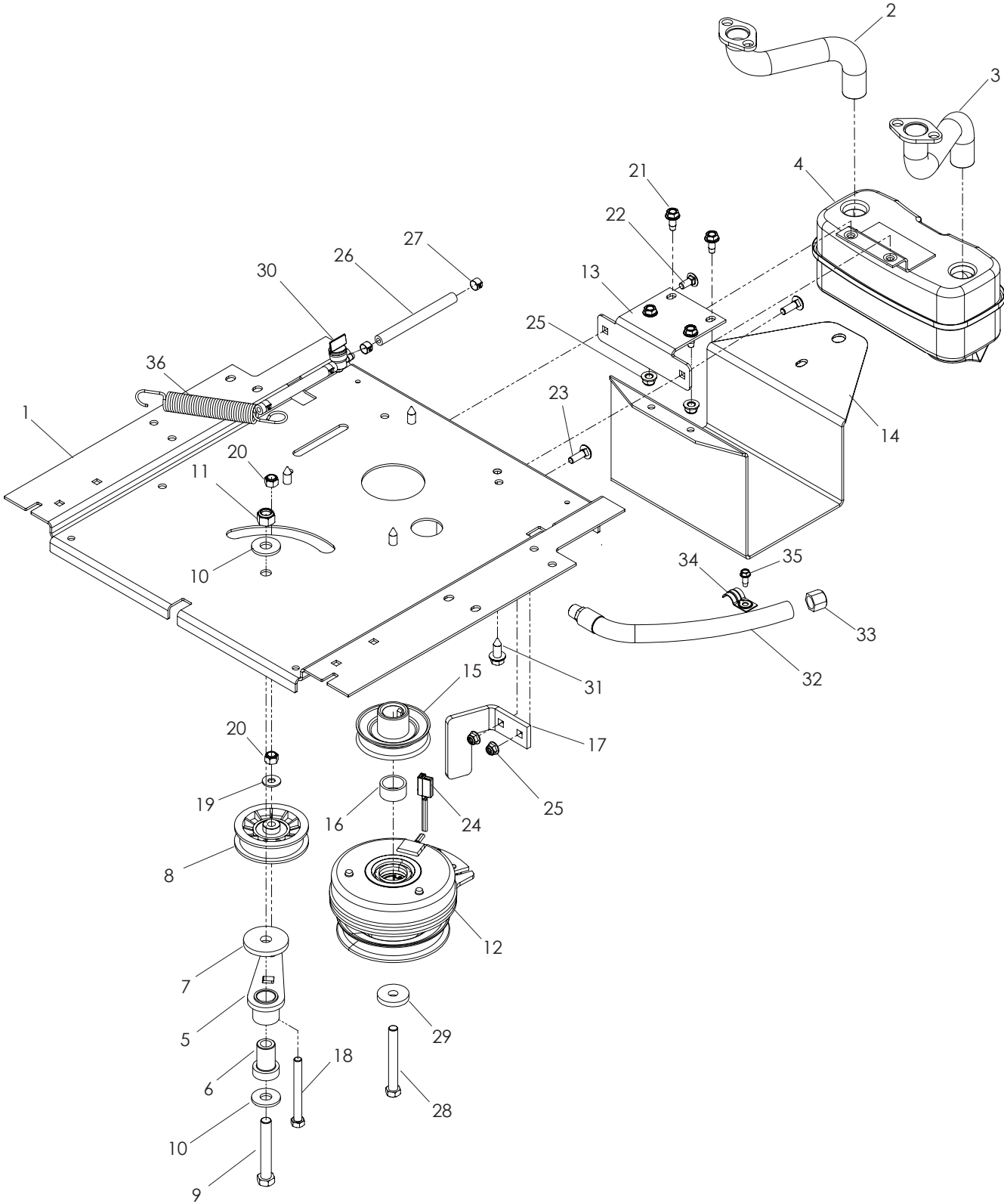


ENGINE PLATE

ITEM	PART NO.	QTY.	DESCRIPTION	ITEM	PART NO.	QTY.	DESCRIPTION
1..	510 172002....	1....	PLATE, ENGINE	16..	539 976979....	2....	NUT $\frac{3}{8}$ -16 HEX NYLOC
2..	539 112092....	1....	ARM, IDLER	17..	539 990208....	2....	RHSNB $\frac{5}{16}$ -18 x 1
3..	539 101231....	1....	SPINDLE, IDLER	18..	539 976935....	4....	HCS $\frac{5}{16}$ -18 x $1\frac{1}{2}$
4..	539 112670....	1....	WASHER, HEAVY	19..	539 112899....	6....	NUT $\frac{5}{16}$ -18 FLANGE NYLOC
5..	539 110311....	1....	PULLEY, IDLER	20..	539 110425....	2....	FUEL LINE 5"
6..	539 103433....	1....	HCS $\frac{1}{2}$ -13 x $3\frac{1}{4}$	21..	539 912222....	4....	HOSE CLAMP
7..	539 109554....	2....	WASHER $\frac{1}{2}$ FLT	22..	539 976944....	1....	HCS $\frac{7}{16}$ -20 x $3\frac{1}{2}$
8..	539 101331....	1....	NUT $\frac{1}{2}$ -13 HEX NYLOC	23..	539 110064....	1....	WASHER, CLUTCH
9..	505 287301....	1....	CLUTCH	24..	539 916325....	1....	VALVE, FUEL
10..	516 011802....	1....	HITCH	25..	532 196105....	1....	SPRING, DECK DRIVE
11..	539 114530....	1....	PULLEY, ENGINE	26..	539 101362....	1....	HOSE, DRAIN
12..	539 112252....	1....	SPACER	27..	539 101364....	1....	PLUG, OIL
13..	510 246002....	1....	STOP, CLUTCH	28..	539 101363....	1....	CLAMP
14..	539 109389....	1....	HCS $\frac{3}{8}$ -16 x $3\frac{1}{2}$ TPBLT	29..	539 990362....	1....	SCREW $\frac{1}{4}$ -20 x $\frac{5}{8}$ SLF TAP
15..	539 990692....	2....	WASHER $\frac{5}{16}$ STD FLT	30..	539 105637....	1....	HARNES, CLUTCH

ENGINE PLATE

965881401

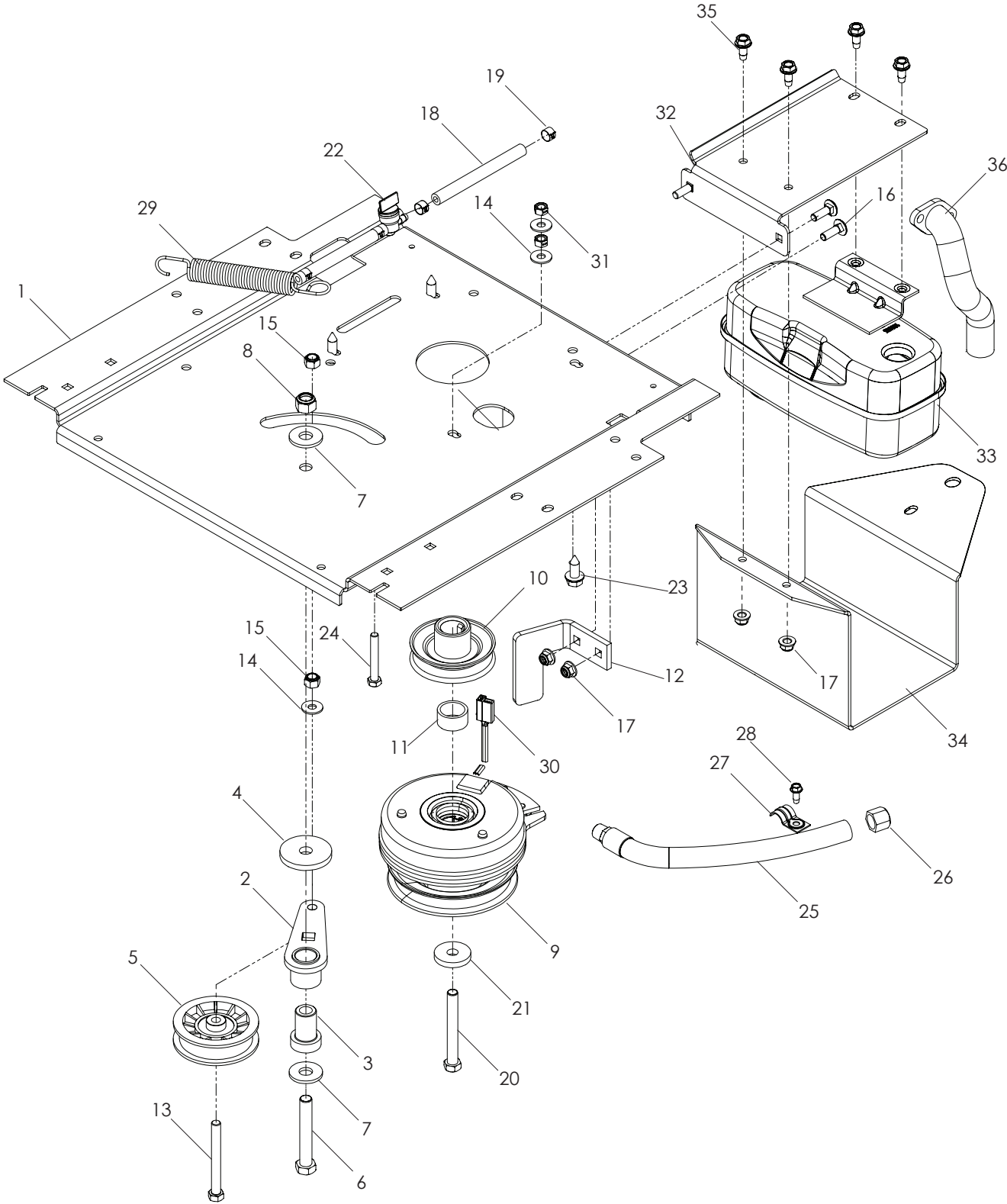


ENGINE PLATE

ITEM	PART NO.	QTY.	DESCRIPTION	ITEM	PART NO.	QTY.	DESCRIPTION
1..	510 172002....	1....	PLATE, ENGINE	20..	539 976979....	2....	NUT ³ / ₈ -16 HEX NYLOC
2..	532 159955....	1....	EXHAUST TUBE, RT	21..	539 107475....	4....	BOLT ⁵ / ₁₆ -18 x ³ / ₄ THD FRM
3..	532 160589....	1....	EXHAUST TUBE, LT	22..	539 990316....	1....	RHSNB ⁵ / ₁₆ -18 x ³ / ₄
4..	539 131604....	1....	MUFFLER ASM TWIN	23..	539 990208....	2....	RHSNB ⁵ / ₁₆ -18 x 1
5..	539 112092....	1....	IDLER ARM	24..	539 105637....	1....	HARNES, CLUTCH
6..	539 101231....	1....	SPINDLE, IDLER	25..	539 112899....	5....	NUT ⁵ / ₁₆ -18 FLANGE NYLOC
7..	539 112670....	1....	WASHER, HEAVY	26..	539 110425....	2....	FUEL LINE 5"
8..	539 115278....	1....	PULLEY, IDLER	27..	539 912222....	4....	HOSE CLAMP
9..	539 103433....	1....	HCS ¹ / ₂ -13 x 3 ¹ / ₄	28..	539 976944....	1....	HCS ⁷ / ₁₆ -20 x 3 ¹ / ₂
10..	539 109554....	2....	WASHER ¹ / ₂ FLAT	29..	539 110064....	1....	WASHER, CLUTCH
11..	539 101331....	1....	NUT ¹ / ₂ HEX NYLOC	30..	539 916325....	1....	VALVE, FUEL
12..	505 287301....	1....	CLUTCH	31..	532 120616....	4....	HHFS ³ / ₈ -16 x 1 THD FRM
13..	510 260402....	1....	BRACKET, MUFFLER	32..	539 101362....	1....	HOSE, DRAIN
14..	510 260502....	1....	GUARD, MUFFLER	33..	539 101364....	1....	PLUG, OIL
15..	539 114530....	1....	PULLEY, ENGINE	34..	539 101363....	1....	CLAMP
16..	539 112252....	1....	SPACER	35..	539 990362....	1....	SCREW ¹ / ₄ -20 x ⁵ / ₈ SLF TAP
17..	510 246002....	1....	STOP, CLUTCH	36..	532 196105....	1....	SPRING, DECK DRIVE
18..	539 109389....	1....	HCS ³ / ₈ -16 x 3 ¹ / ₂ TPBLT				
19..	539 990692....	2....	WASHER ⁵ / ₁₆ STD FLT				

ENGINE PLATE

965881201

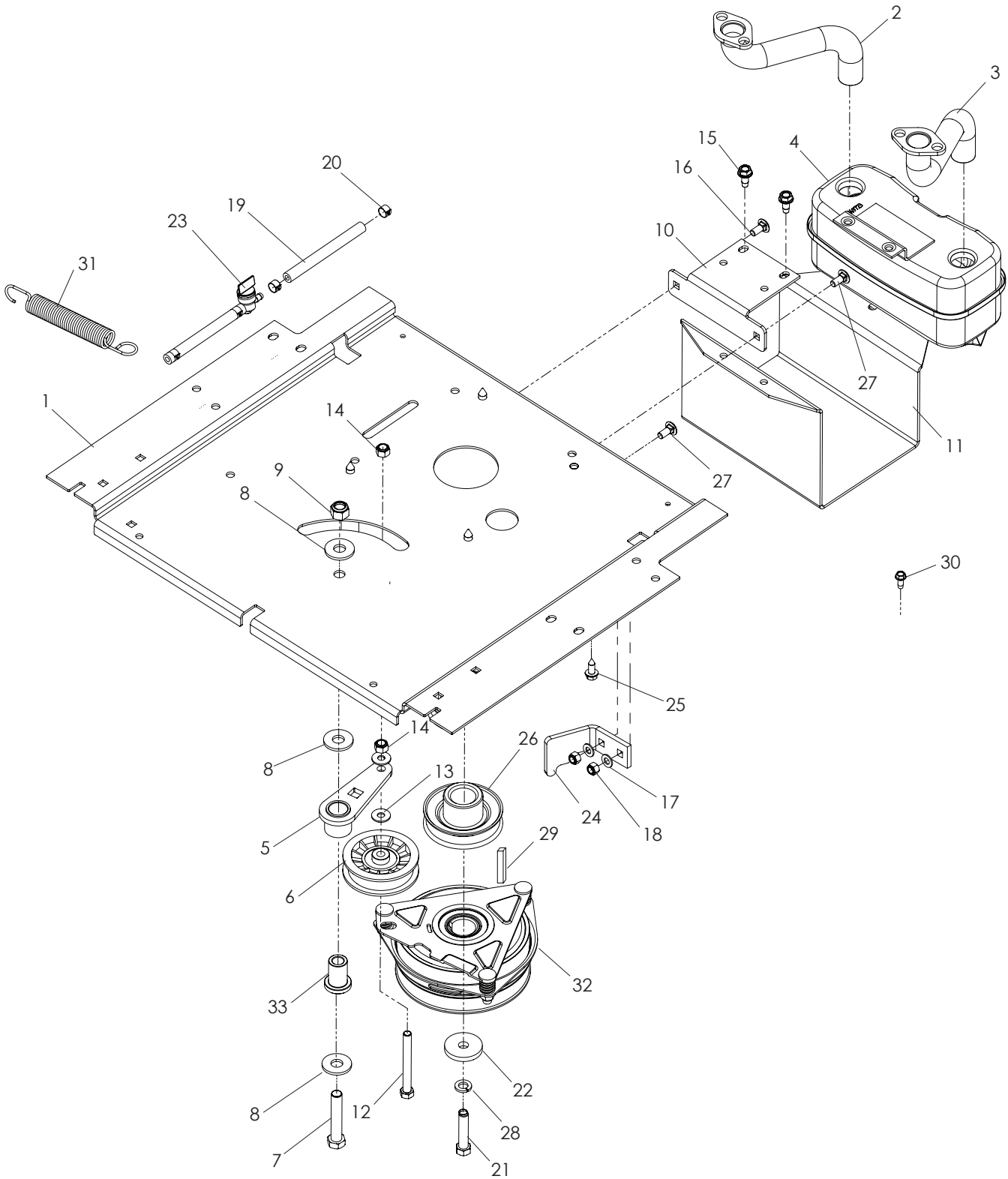


ENGINE PLATE

ITEM	PART NO.	QTY.	DESCRIPTION	ITEM	PART NO.	QTY.	DESCRIPTION
1..	510 172002....	1....	PLATE, ENGINE	19..	539 912222....	4....	HOSE CLAMP
2..	539 112092....	1....	IDLER ARM	20..	539 976944....	1....	HCS $\frac{7}{16}$ -20 x $3\frac{1}{2}$
3..	539 101231....	1....	SPINDLE, IDLER	21..	539 110064....	1....	WASHER, CLUTCH
4..	539 112670....	1....	WASHER, HEAVY	22..	539 916325....	1....	VALVE, FUEL
5..	539 110311....	1....	PULLEY, IDLER	23..	532 120616....	3....	HHFS $\frac{3}{8}$ -16 x 1, THD FORM
6..	539 103433....	1....	HCS $\frac{1}{2}$ -13 x $3\frac{1}{4}$	24..	539 976938....	1....	HCS $\frac{5}{16}$ -18 x $2\frac{1}{4}$
7..	539 109554....	2....	WASHER $\frac{1}{2}$ FLAT	25..	539 101362....	1....	HOSE, DRAIN
8..	539 101331....	1....	NUT $\frac{1}{2}$ HEX NYLOC	26..	539 101364....	1....	PLUG, OIL
9..	505 287301....	1....	CLUTCH	27..	539 101363....	1....	CLAMP
10..	539 114530....	1....	PULLEY, ENGINE	28..	539 990362....	1....	SCREW $\frac{1}{4}$ -20 x $\frac{5}{8}$ SLF TAP
11..	539 112252....	1....	SPACER	29..	532 196105....	1....	SPRING, DECK DRIVE
12..	510 246002....	1....	STOP, CLUTCH	30..	532 105637....	1....	HARNES, CLUTCH
13..	539 109389....	1....	HCS $\frac{3}{8}$ -16 x $3\frac{1}{2}$ TPBLT	31..	539 990184....	2....	NUT $\frac{5}{16}$ -18 CTRLK
14..	539 990692....	2....	WASHER $\frac{5}{16}$ STD FLT	32..	510 260404....	1....	BRACKET, MUFFLER
15..	539 976979....	2....	NUT $\frac{3}{8}$ -16 HEX NYLOC	33..	532 188655....	1....	MUFFLER
16..	539 990208....	2....	RHSNB $\frac{5}{16}$ -18 x 1	34..	510 260502....	1....	GUARD, MUFFLER
17..	539 112899....	6....	NUT $\frac{5}{16}$ -18 FLANGE NYLOC	35..	539 107475....	4....	BOLT $\frac{5}{16}$ -18 x $\frac{3}{4}$ THD FORM
18..	539 110425....	2....	FUEL LINE 5"	36..	532 188654....	1....	TUBE, EXHAUST, KOHLER

ENGINE PLATE

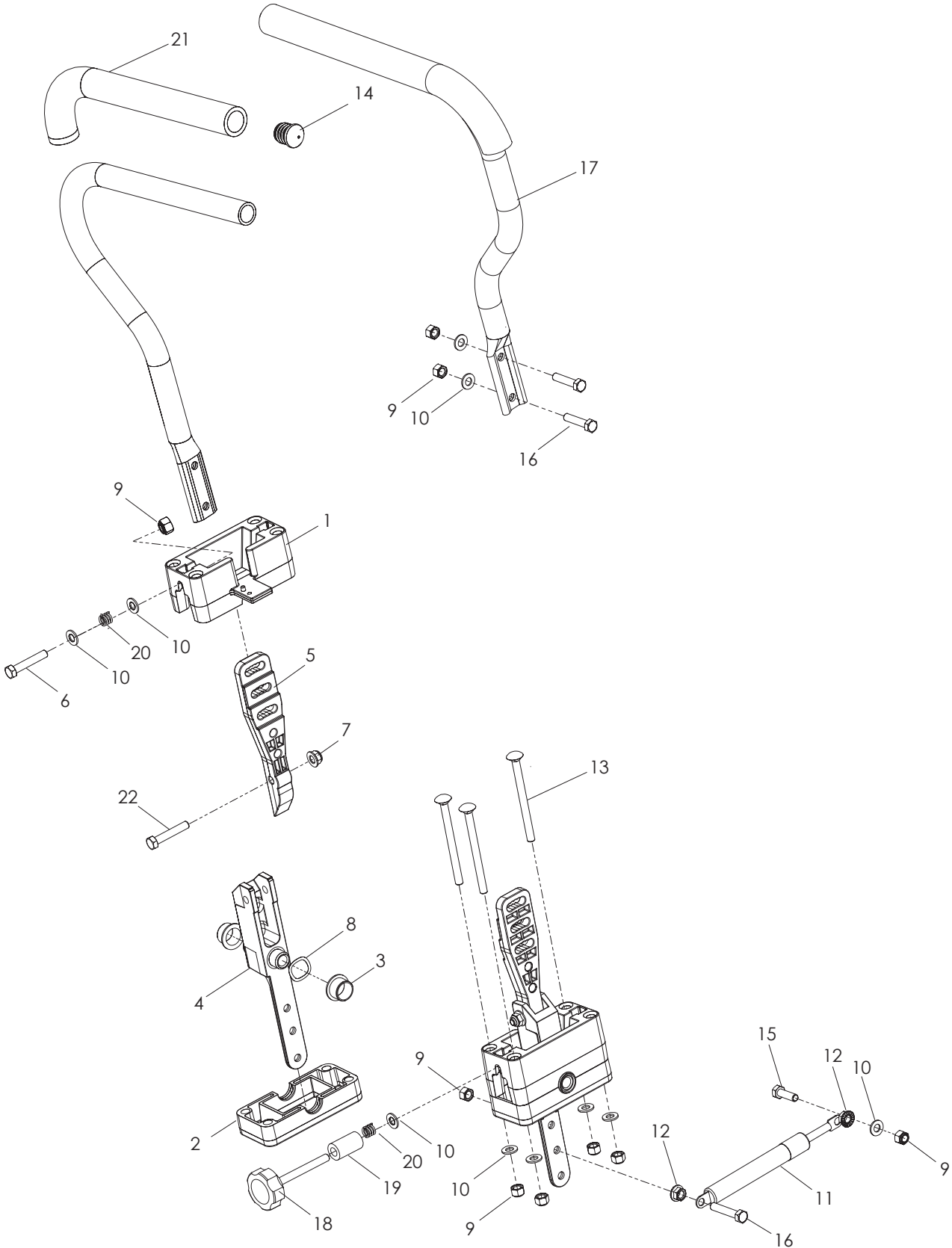
965881301



ENGINE PLATE

ITEM	PART NO.	QTY.	DESCRIPTION	ITEM	PART NO.	QTY.	DESCRIPTION
1..	510 172002....	1....	PLATE, ENGINE	18..	539 990717....	3....	NUT $\frac{5}{16}$ -18 HEX NYLOC
2..	532 146699....	1....	EXHAUST TUBE, RT	19..	539 110425....	2....	FUEL LINE 5"
3..	532 146700....	1....	EXHAUST TUBE, LT	20..	539 912222....	4....	CLAMP, HOSE
4..	539 131604....	1....	MUFFLER ASM TWIN	21..	539 111990	1....	HCS $\frac{7}{16}$ -20 x 2 GR8
5..	539 112092....	1....	IDLER ARM WLDMT	22..	539 106504....	1....	WASHER, HEAVY
6..	539 110311	1....	PULLEY, IDLER	23..	539 916325....	1....	VALVE, FUEL
7..	539 101332....	1....	HCS $\frac{1}{2}$ -13 x 2 $\frac{3}{4}$	24..	522 442502....	1....	STOP, CLUTCH
8..	539 109554....	3....	WASHER $\frac{1}{2}$ FLAT	25..	532 120616....	4....	HHFS $\frac{3}{8}$ -16 x 1 THD FRM
9..	539 101331....	1....	NUT $\frac{1}{2}$ HEX NYLOC	26..	539 113436....	1....	PULLEY, DRIVE
10..	510 260402....	1....	BRACKET, MUFFLER	27..	539 990208....	2....	RHSNB $\frac{5}{16}$ -18 x 1
11..	510 260502....	1....	GUARD, MUFFLER	28..	539 990247....	1....	WASHER $\frac{5}{16}$ SLW
12..	539 109389....	1....	HCS $\frac{3}{8}$ -16 x 3 $\frac{1}{2}$ TPBLT	29..	539 910210....	1....	KEY $\frac{1}{4}$ SQ x 2
13..	539 990692....	2....	WASHER $\frac{5}{16}$ STD FLAT	30..	539 990362....	1....	SCREW $\frac{1}{4}$ -20 x $\frac{5}{8}$ SLF TAP
14..	539 976979....	2....	NUT $\frac{3}{8}$ -16 HEX NYLOC	31..	532 196105....	1....	SPRING, DECK DRIVE
15..	539 107475....	2....	BOLT $\frac{5}{16}$ -18 x $\frac{3}{4}$ THD FRM	32..	539 113437	1....	CLUTCH, 150 FT/LBS
16..	539 990316....	2....	RHSNB $\frac{5}{16}$ -18 x $\frac{3}{4}$	33..	522 432501....	1....	PIVOT, IDLER
17..	539 990188....	3....	WASHER $\frac{5}{16}$ SAE FLAT				

STEERING

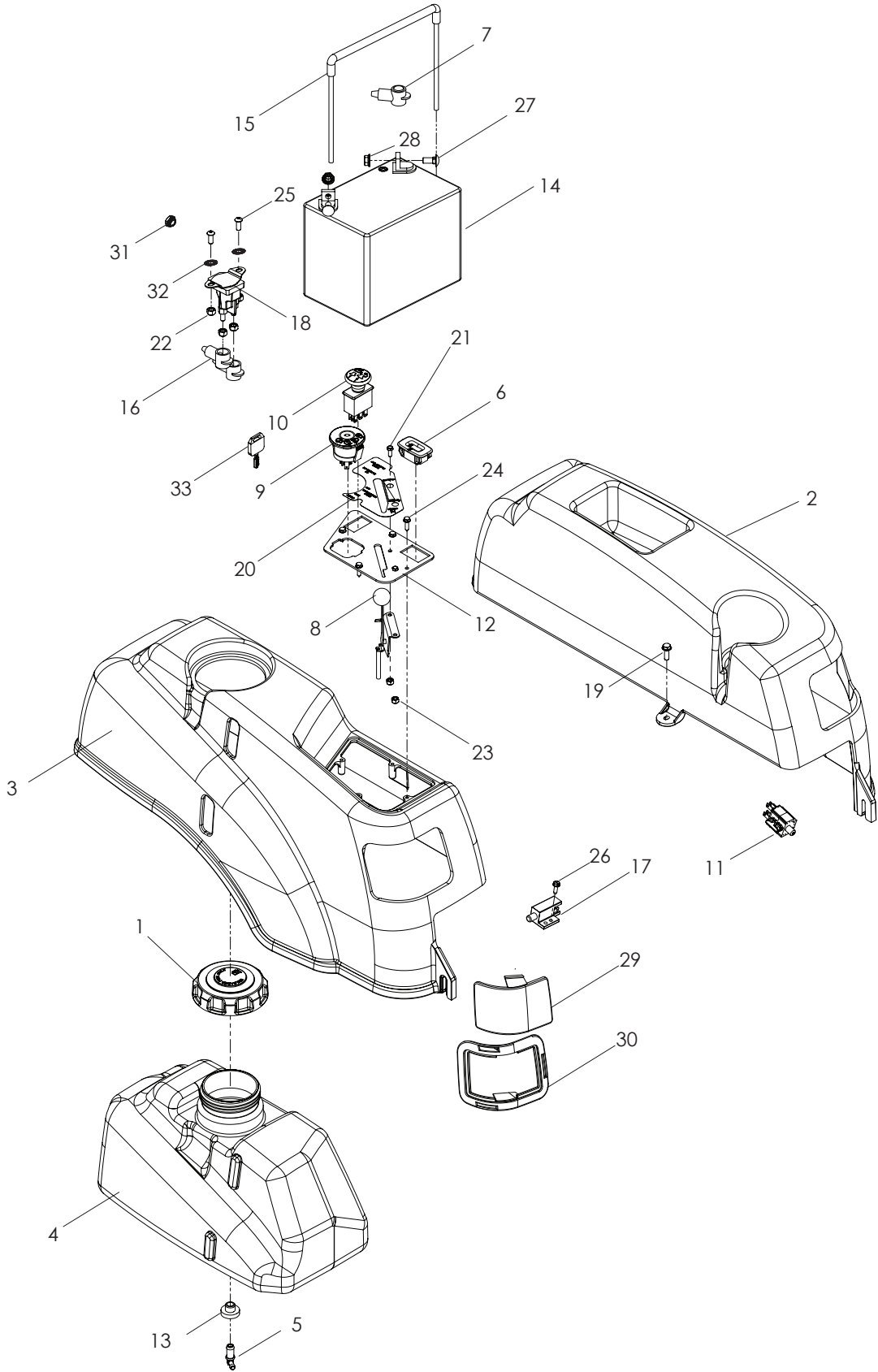


STEERING

ITEM	PART NO.	QTY.	DESCRIPTION	ITEM	PART NO.	QTY.	DESCRIPTION
1..	539 131517....	2....	BLOCK, UPPER	13..	510 422601....	6....	RHSNB ⁵ / ₁₆ -18 x 4
2..	539 131519....	2....	BLOCK, LOWER	14..	539 122636....	2....	PLUG, END
3..	539 131518....	4....	BEARING, FLANGE	15..	539 990209....	2....	HCS ⁵ / ₁₆ -18 x 1
4..	522 452901....	2....	PIVOT SECTION, DRIVE	16..	539 976935....	6....	HCS ⁵ / ₁₆ -18 x 1½
5..	539 131521....	2....	MOUNT, DRIVE CONTROL	17..	522 524303....	2....	LEVER, w/GRIP
6..	539 108395....	1....	HCS ⁵ / ₁₆ -18 x 2 TPBLT	18..	521 982601....	1....	KNOB
7..	539 112899....	2....	NUT ⁵ / ₁₆ -18 FLANGE NYLOC	19..	539 103543....	1....	SPACER
8..	539 133007....	2....	WASHER, .825 x 1.087 WAVE	20..	539 102845....	2....	SPRING
9..	539 990717..	14....	NUT ⁵ / ₁₆ -18 HEX NYLOC	21..	522 524302....	2....	GRIP, FOAM
10..	539 990188..	12....	WASHER ⁵ / ₁₆ SAE FLAT	22..	539 990669....	2....	HCS ⁵ / ₁₆ -18 x 1¾
11..	539 102720....	2....	DAMPENER				
12..	539 990585....	4....	NUT ⁵ / ₁₆ -18 HEX WHIZLK				

IGNITION

965881101, 965921501

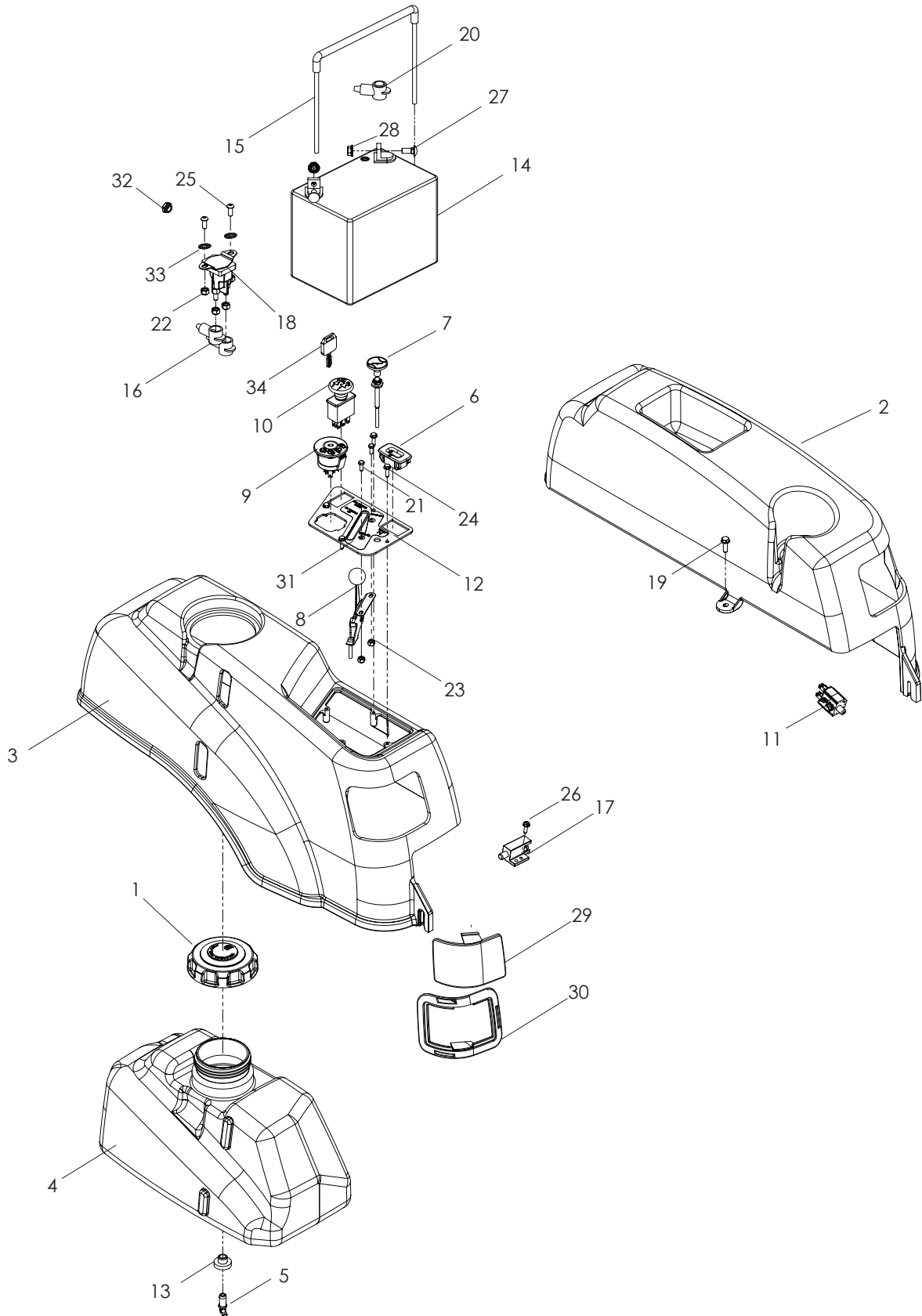


IGNITION

ITEM	PART NO.	QTY.	DESCRIPTION	ITEM	PART NO.	QTY.	DESCRIPTION
1..	539 130393....	1....	FUEL CAP	21..	539 990411....	2....	SCREW 10-24 x ½ SLT HD
2..	539 130374....	1....	FENDER, LT	22..	539 976978....	4....	NUT ¼-20 HEX NYLOC
3..	539 130375....	1....	FENDER, RT	23..	539 976977....	2....	NUT 10-24 HEX NYLOC
4..	539 110252....	1....	TANK, FUEL	24..	539 110673....	4....	SCREW 10-12 x ¾ WSHR HD
5..	539 110432....	1....	ELBOW, TANK	25..	539 111229....	2....	SCREW ¼-20 x 5/8 BTN SKT
6..	539 110074....	1....	HOUR METER	26..	539 991034....	2....	SCREW 10-24 x 5/8 WSH HD
7..	539 102759....	1....	COVER, TERMINAL	27..	539 990316....	2....	RHSNB 5/16-18 x ¾
8..	522 730101....	1....	CABLE, THROTTLE	28..	539 112899....	2....	NUT 5/16-18 FLANGE NYLOC
9..	539 107541....	1....	SWITCH, IGNITION	29..	539 110056....	1....	LENS, LT
10..	539 101768....	1....	SWITCH, CLUTCH		539 110057....	1....	LENS, RT
11..	539 113792....	1....	SWITCH, BRAKE	30..	539 110455....	1....	LENS RIM, LT
12..	539 110305....	1....	PLATE, CONSOLE		539 110451....	1....	LENS RIM, RT
13..	539 105245....	1....	GROMMET, RUBBER	31..	539 108120....	1....	NUT ¼-20 HEX NYLOC THIN
14..	539 102436....	1....	BATTERY	32..	539 990053....	2....	WASHER ¼ ITLW
15..	539 131209....	1....	TIE DOWN, BATTERY	33..	539 107544....	1....	KEY, IGNITION
16..	539 116400....	3....	COVER, TERMINAL				NOT SHOWN
17..	539 101080....	2....	SWITCH, N.C.		539 103306....	2....	POSITIVE CABLE, LONG
18..	539 101714....	1....	SOLENOID		539 110068....	1....	BATTERY CABLE NEGATIVE
19..	539 108461....	2....	BOLT ¼-20 x ½ HWST		515 980501....	1....	HARNES, WIRING
20..	539 110077....	1....	DECAL, CONSOLE				

IGNITION

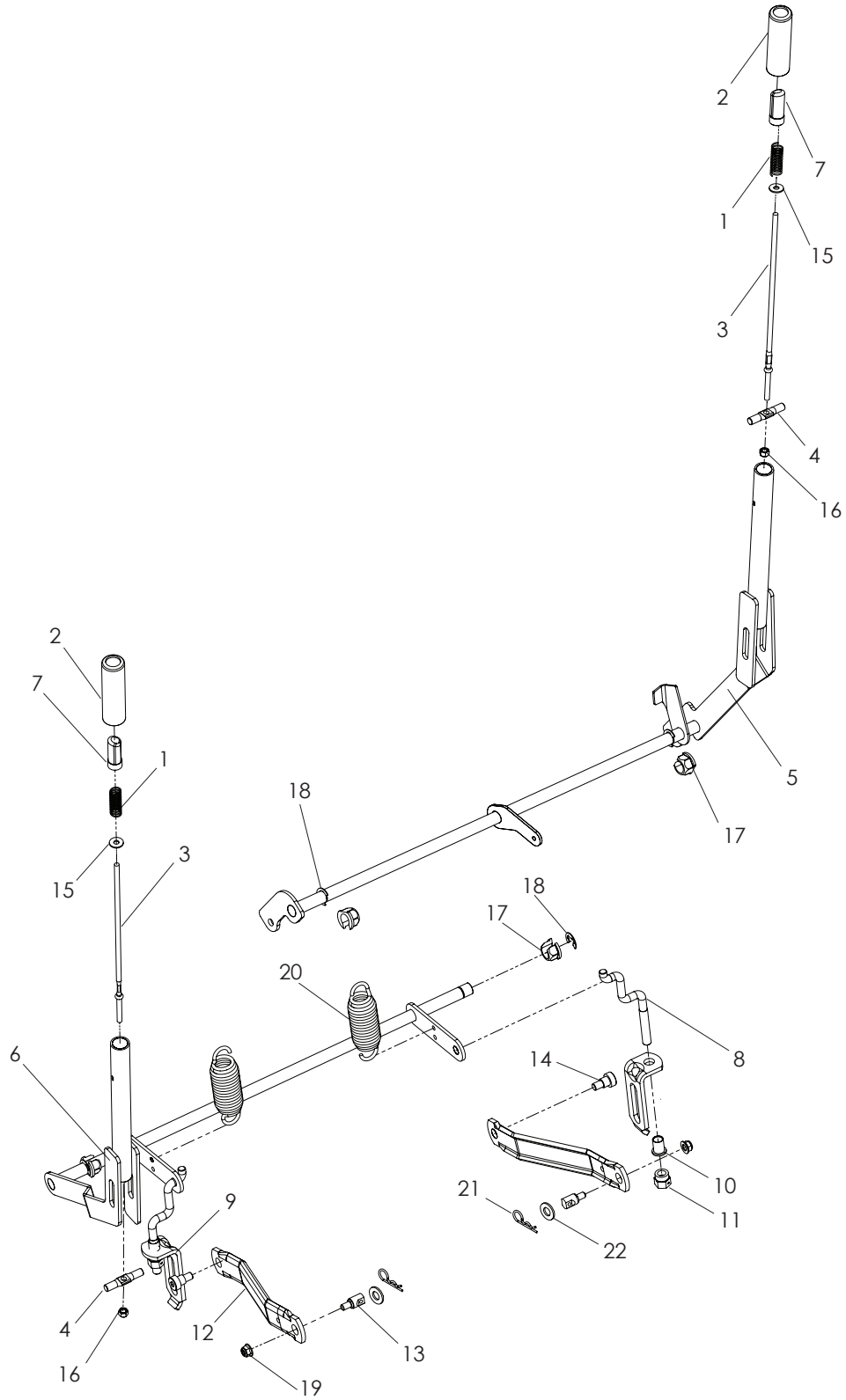
965881201, 965881301, 965881401,



IGNITION

ITEM	PART NO.	QTY.	DESCRIPTION	ITEM	PART NO.	QTY.	DESCRIPTION
1..	539 130393....	1....	FUEL CAP	21..	539 990411....	2....	SCREW 10-24 x ½ SLT HD
2..	539 130374....	1....	FENDER, LT	22..	539 976978....	5....	NUT ¼-20 HEX NYLOC
3..	539 130375....	1....	FENDER, RT	23..	539 976977....	2....	NUT 10-24 HEX NYLOC
4..	539 110252....	1....	TANK, FUEL	24..	539 110673....	4....	SCREW 10-12 x ¾ WSHR HD
5..	539 110432....	1....	ELBOW, TANK	25..	539 111229....	2....	SCREW ¼-20 x 5/8 BTN SKT
6..	539 110074....	1....	HOUR METER	26..	539 991034....	2....	SCREW 10-24 x 5/8 WSH HD
7..	539 130209....	1....	CONTROL, CHOKE	27..	539 990316....	2....	RHSNB 5/16-18 x ¾
8..	539 112734....	1....	CABLE, THROTTLE	28..	539 112899....	2....	NUT 5/16-18 FLANGE NYLOC
9..	539 107541....	1....	SWITCH, IGNITION	29..	539 110056....	1....	LENS, LT
10..	539 101768....	1....	SWITCH, CLUTCH		539 110057....	1....	LENS, RT
11..	539 113792....	1....	SWITCH, BRAKE	30..	539 110455....	1....	LENS RIM, LT
12..	539 112735....	1....	PLATE, CONTROL		539 110451....	1....	LENS RIM, RT
13..	539 105245....	1....	GROMMET, RUBBER	31..	539 112740....	1....	DECAL, CONSOLE
14..	539 102436....	1....	BATTERY	32..	539 108120....	2....	NUT ¼-20 HEX NYLOC THIN
15..	539 131209....	1....	TIE DOWN, BATTERY	33..	539 990053....	2....	WASHER ¼ ITLW
16..	539 116400....	3....	COVER, TERMINAL	34..	539 107544....	1....	KEY, IGNITION
17..	539 101080....	2....	SWITCH, N.C.				NOT SHOWN
18..	539 101714....	1....	SOLENOID		539 103306....	2....	POSITIVE CABLE, LONG
19..	539 108461....	2....	BOLT ¼-20 x ½ HWST		539 110068....	1....	BATTERY CABLE NEGATIVE
20..	539 102759....	1....	COVER, TERMINAL		515 980501....	1....	HARNESS, WIRING

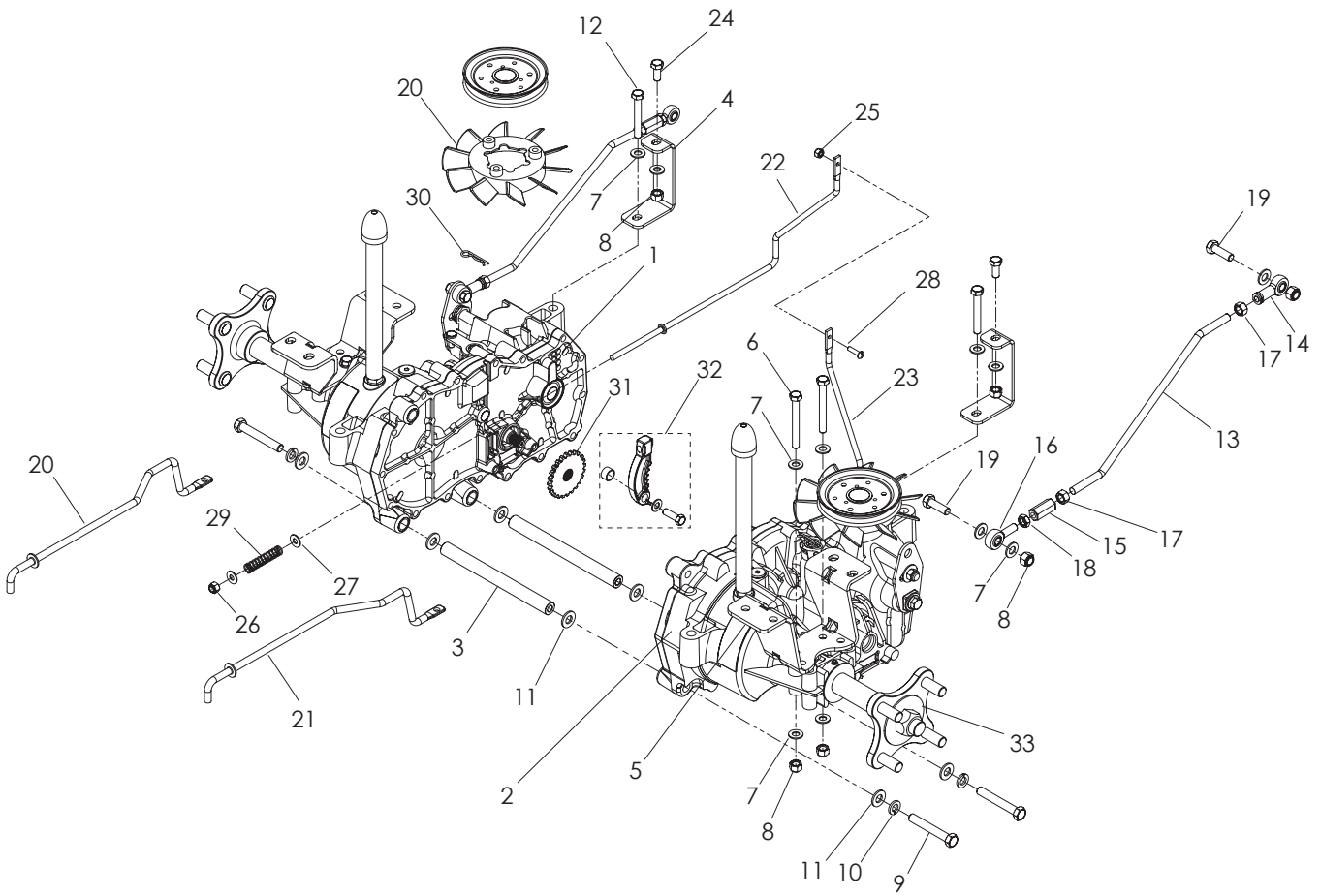
BRAKE / LIFT



BRAKE / LIFT

ITEM	PART NO.	QTY.	DESCRIPTION	ITEM	PART NO.	QTY.	DESCRIPTION
1..	510 030701....	2....	SPRING, COMPRESSION	15..	539 990598....	1....	WASHER ¼ FLAT
2..	510 207201....	2....	GRIP, HANDLE	16..	539 976978....	2....	NUT ¼-20 HEX NYLOC
3..	510 422901....	2....	ROD, HANDLE RELEASE	17..	510 184901....	4....	NUT
4..	516 008801....	1....	ROD, LATCH RELEASE	18..	539 105069....	4....	E-RING
5..	522 710804....	1....	SHAFT, BRAKE	19..	539 112899....	2....	NUT 5/16-18 FLANGE NYLOC
6..	510 207802....	1....	ARM, LIFTING	20..	539 118762....	1....	SPRING 965881301, 965881401
7..	510 207301....	2....	BUTTON, PUSH		539 118762....	2....	SPRING 965881101, 965881201, 965921501
8..	510 185301....	2....	LINK, REAR SUSPENSION	21..	539 111690....	2....	SPACER
9..	532 195174....	2....	BRACKET, LIFT	22..	539 976982....	2....	WASHER 5/8 FLAT SAE
10..	532 195171....	2....	BUSHING, ALIGNMENT	23..	539 976989....	2....	HAIRPIN #4
11..	532 175994....	2....	NUT, LIFT LINK				
12..	532 195185....	2....	ARM, SUSPENSION RR				
13..	532 195161....	2....	STUD, w/ANTI- ROTATE				
14..	539 113621....	2....	SB 3/8-16 x 3/8 SKT HD				

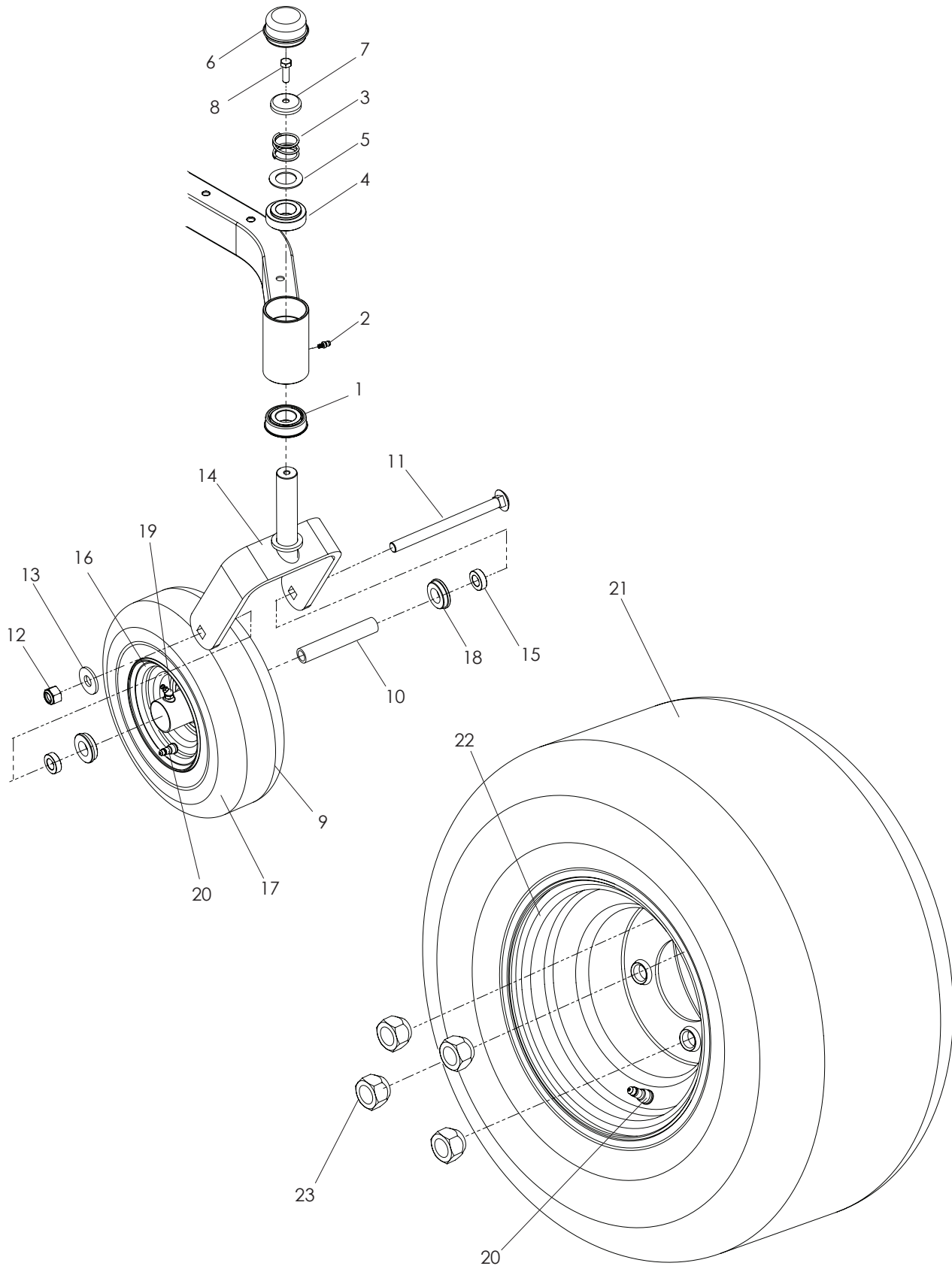
HYDRAULIC PUMP-MOTOR



HYDRAULIC PUMP-MOTOR

ITEM	PART NO.	QTY.	DESCRIPTION	ITEM	PART NO.	QTY.	DESCRIPTION
1..	510 375601....	1....	EZT, LT	19..	539 990209....	2....	HCS ⁵ / ₁₆ -18 x 1
2..	510 375602....	1....	EZT, RT	20..	539 120785....	2....	BLADE, FAN
3..	510 184101....	2....	SPACER TUBE	21..	522 941101....	1....	LINK ARM, BYPASS
4..	522 460702....	2....	SUPPORT, EZT FRT	22..	522 533801....	1....	ROD, EZT BRAKE LT
5..	510 185102....	2....	MOUNT, EZT RR	23..	522 533701....	1....	ROD, EZT BRAKE RT
6..	539 101721....	4....	HCS ⁵ / ₁₆ -18 x 2 ³ / ₄	24..	539 976934....	2....	HCS ⁵ / ₁₆ -18 x ³ / ₄
7..	539 990188..	16....	WASHER ⁵ / ₁₆ SAE FLAT	25..	539 976977....	1....	NUT 10-24 HEX NYLOC
8..	539 990717..	10....	NUT ⁵ / ₁₆ -18 HEX NYLOC	26..	539 976978....	2....	NUT ¹ / ₄ -20 HEX NYLOC
9..	539 990637....	4....	HCS ³ / ₈ -16 x 2 ¹ / ₂	27..	539 990055....	2....	WASHER ¹ / ₄ FLAT SAE
10..	539 990118....	4....	WASHER ³ / ₈ SPLT LK	28..	539 108535....	1....	SCREW 10-24 x ³ / ₄ SLTD RD
11..	539 990122....	8....	WASHER ³ / ₈ SAE FLT	29..	539 110342....	2....	SPRING, BRAKE ROD
12..	539 976938....	2....	HCS ⁵ / ₁₆ -18 x 2 ¹ / ₄	30..	539 976988....	2....	HAIRPIN, COTTER
13..	522 945001....	1....	ROD, MOTION CONTROL	31..	539 120080....	2....	COG, BRAKE DISC
14..	539 115729....	1....	ROD END RH	32..	539 120079....	2....	BRAKE ARM KIT
15..	539 116689....	1....	COUPLER, ROD END	33..	539 120064....	2....	HUB KIT
16..	539 116690....	1....	ROD END MALE LH	NOT SHOWN			
17..	539 990223....	2....	NUT ⁵ / ₁₆ -24 HEX	539 110411....	1....	BELT, EZT	
18..	539 991073....	1....	NUT ⁵ / ₁₆ -24 HEX JAM LH				

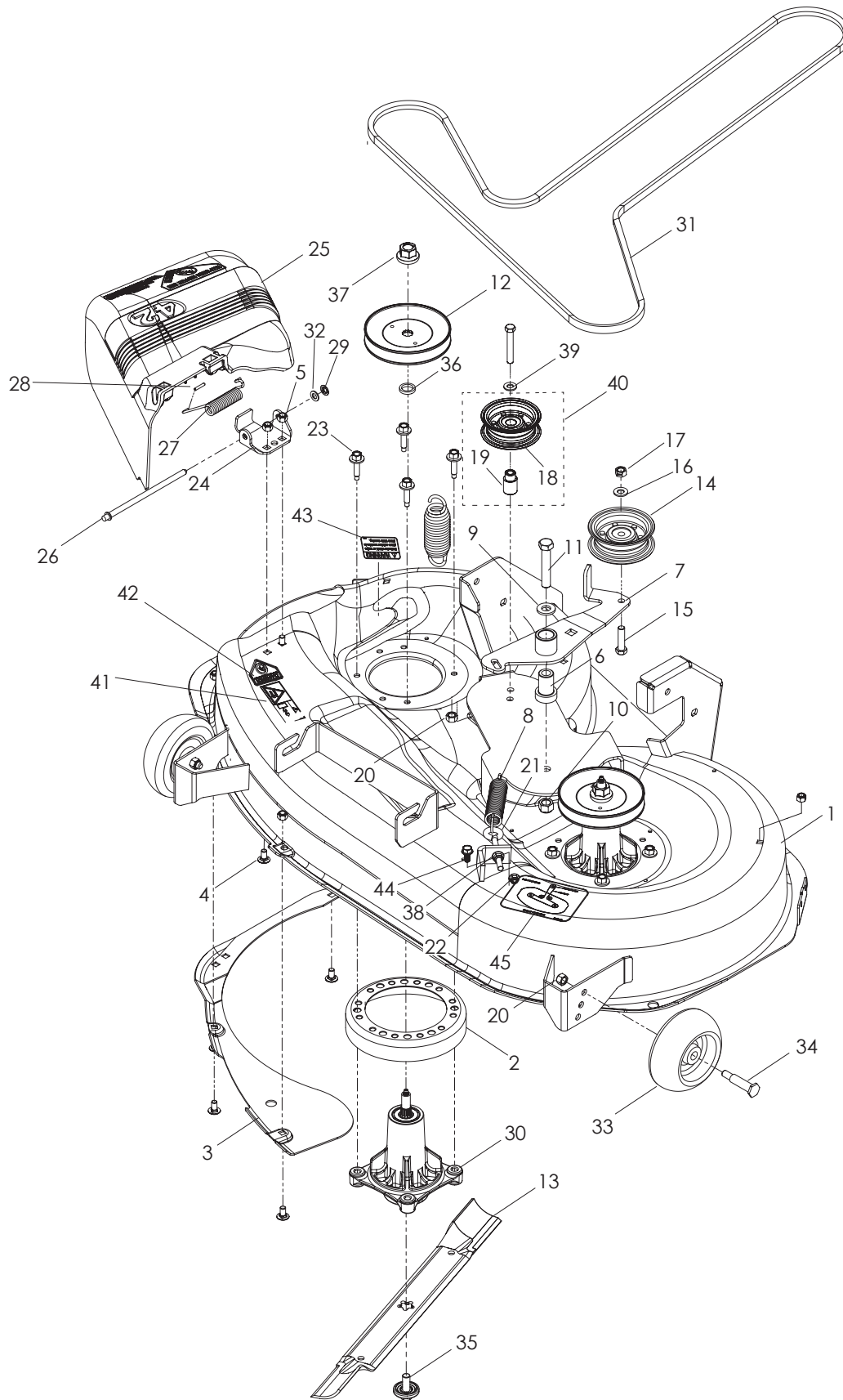
WHEELS AND TIRES



WHEELS AND TIRES

ITEM	PART NO.	QTY.	DESCRIPTION	ITEM	PART NO.	QTY.	DESCRIPTION
1..	539 112660....	2....	BEARING, FLANGED	17..	539 106995....	2....	CASTER TIRE, 410/350 4 PLY
2..	539 115638....	2....	ZERK ³ / ₁₆ DRIVE	18..	539 102484....	4....	BEARING, FLANGED
3..	539 115747....	2....	SPRING, CASTER	19..	539 103300....	2....	ZERK
4..	539 117901....	2....	BUSHING, CASTER	20..	539 912234....	4....	VALVE STEM
5..	539 115675....	2....	WASHER	21..	539 112212....	2....	TIRE ASSEM, REAR 18 x 8.5 968881201, 965921501,
6..	539 102535....	2....	GREASE CAP		539 112213....	2....	TIRE, REAR 18 x 8.5
7..	539 115749....	2....	PLUG, CASTER		539 130820 ...	2....	TIRE ASSEM, REAR 18 x 9.5 965881301, 965881401
8..	539 990209....	2....	HCS ⁵ / ₁₆ -18 x 1		539 130822 ...	2....	TIRE, REAR 18 x 9.5
9..	539 110333....	2....	CASTER TIRE ASSM Items 16-20		539 110253....	2....	TIRE ASSEM, REAR 18 x 7.5 965881101
10..	539 105543....	2....	SPACER	22..	539 112214....	2....	RIM, 8 x 7 968881201, 965921501
11..	539 121159....	2....	RHSNB 1/2-13 x 6 1/2		539 112217....	2....	RIM 8 x 7 w/ .8" OFFSET 965881301, 965881401
12..	539 101331....	2....	NUT 1/2-13 HEX NYLOC	23..	539 101173....	8....	NUT, LUG 1/2-20 HEX
13..	539 109554....	2....	WASHER 1/2 FLAT				
14..	510 186501....	2....	YOKE				
15..	539 114805....	4....	SPACER ⁵ / ₁₆				
16..	539 106994....	2....	RIM				

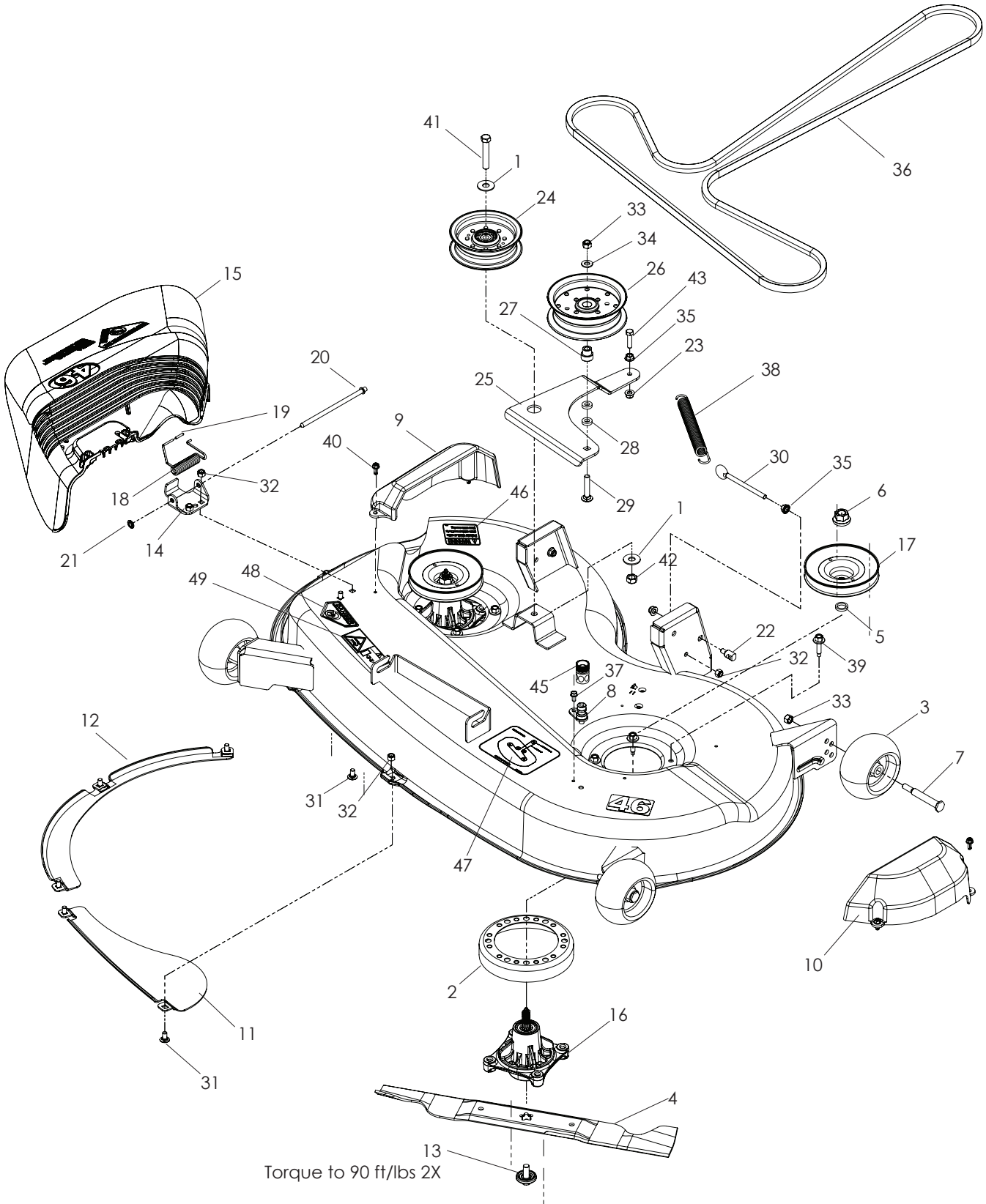
42" DECK



42" DECK

ITEM	PART NO.	QTY.	DESCRIPTION	ITEM	PART NO.	QTY.	DESCRIPTION
1..	522 744201....	1....	DECK w/DECALS	24..	532 192557....	1....	BRACKET, DEFLECTOR
2..	539 107518....	2....	STRIPPER, ROUND	25..	532 193108....	1....	SHIELD, DEFLECTOR
3..	539 110463....	1....	BAFFLE VORTEX	26..	539 110462....	1....	ROD, HINGE
4..	539 990799....	6....	RHSNB $\frac{5}{16}$ -18 x $\frac{5}{8}$	27..	539 110328....	1....	SPRING, TORSION
5..	539 990717....	6....	NUT $\frac{5}{16}$ -18 HEX NYLOC	28..	539 107627....	1....	CAP, SLEEVE
6..	539 101231....	1....	SPINDLE, IDLER	29..	539 107626....	1....	PUSHNUT
7..	539 110217....	1....	ARM, DECK IDLER	30..	539 112057....	2....	HOUSING, CUTTER
8..	539 101977....	1....	SPRING, TRACTION	31..	522 999901....	1....	BELT, DECK
9..	539 990250....	1....	WASHER SAE	32..	539 110331....	1....	WASHER $1\frac{1}{32}$ x $\frac{5}{8}$ x 16
10..	539 101331....	1....	NUT $\frac{1}{2}$ HEX NYLOC	33..	539 110289....	2....	WHEEL, GAUGE
11..	539 101332....	1....	HCS $\frac{1}{2}$ -13 x $2\frac{3}{4}$	34..	539 110222....	2....	SHOULDER BOLT
12..	539 110318....	2....	PULLEY, MANDREL	35..	532 193003....	2....	BOLT WASHER ASSM
13..	777 134149....	2....	BLADE 42"	36..	539 107520....	2....	WASHER SPACER
14..	539 110316....	1....	PULLEY, DECK IDLER	37..	539 107590....	2....	NUT $\frac{9}{16}$ TOP CNTRLK
15..	539 990655....	1....	HCS $\frac{3}{8}$ -16 x $1\frac{1}{2}$	38..	539 990585....	1....	NUT $\frac{5}{16}$ -18 HEX WHIZLK
16..	539 990122....	2....	WASHER $\frac{3}{8}$ SAE FLT	39..	539 990637....	1....	HCS $\frac{3}{8}$ -16 x $2\frac{1}{2}$
17..	539 990546....	1....	NUT $\frac{3}{8}$ -16 HEX CNTRLK	40..	539 110317....	1....	PULLEY ASSEMBLY, IDLER
18..	539 110080....	1....	PULLEY, IDLER	41..	539 105746....	1....	DECAL, SEVERING
19..	539 110081....	1....	BEARING, INSERT	42..	539 913010....	1....	DECAL, WARNING
20..	539 976979....	3....	NUT $\frac{3}{8}$ -16 HEX NYLOC	43..	539 113224....	1....	DECAL, WARNING
21..	539 115574....	1....	EYE BOLT $\frac{5}{16}$ x $3\frac{1}{2}$	44..	539 133027....	1....	SCREW $\frac{3}{8}$ -16 x $\frac{3}{4}$, THD CUT
22..	539 112899....	1....	NUT $\frac{5}{16}$ -18 FLANGE NYLOC	45..	510 240201....	1....	DECAL, BELT ROUTING
23..	539 107630....	8....	SCREW $\frac{5}{16}$ -18 x WSHR HD				

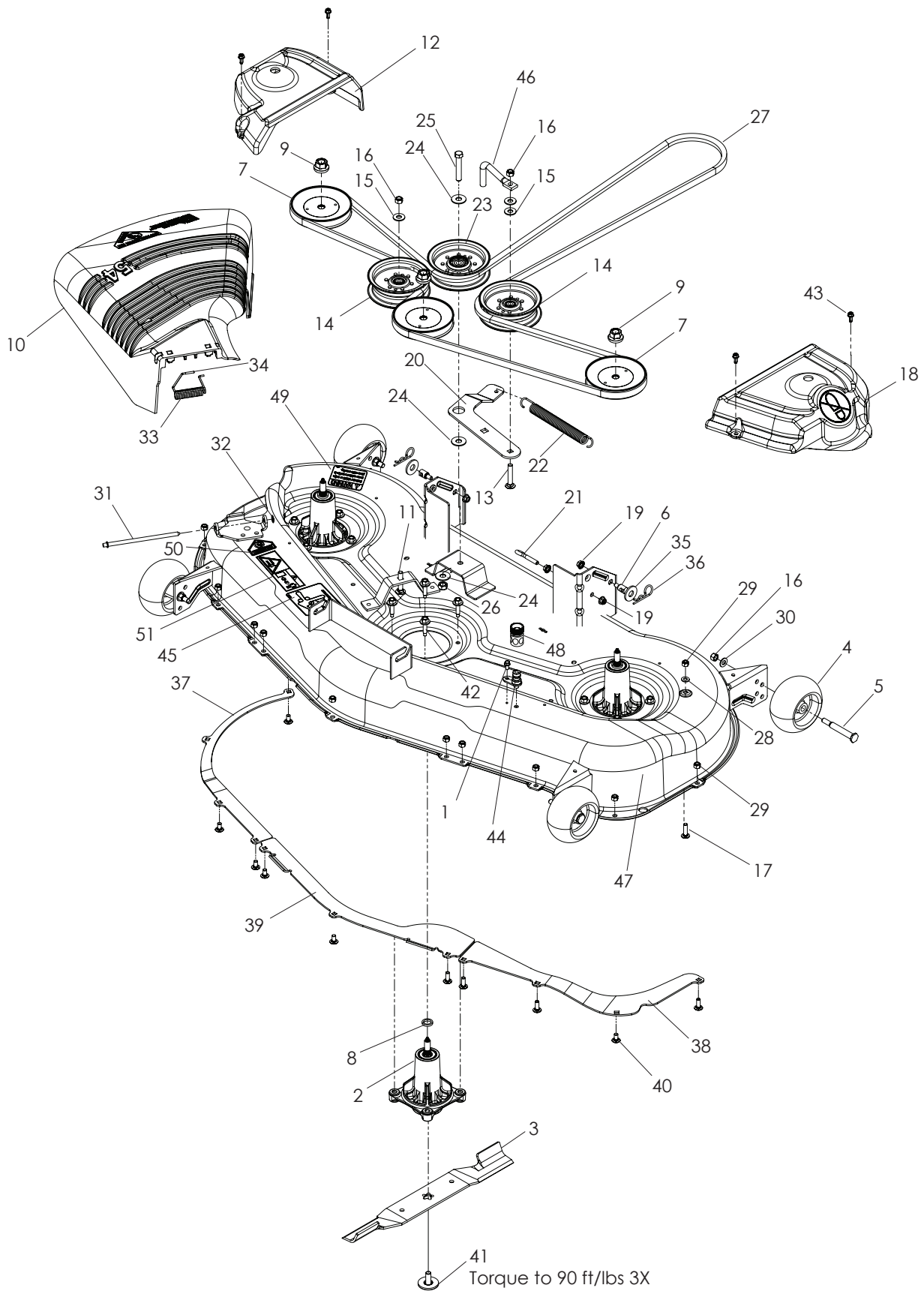
46" DECK



46" DECK

ITEM	PART NO.	QTY.	DESCRIPTION	ITEM	PART NO.	QTY.	DESCRIPTION
1..	539 104864....	2....	WASHER $\frac{7}{16}$ FLAT	26..	539 132728....	1....	PULLEY, IDLER
2..	539 107518....	2....	STRIPPER, ROUND	27..	539 112076....	1....	BUSHING, IDLER
3..	539 107610....	3....	WHEEL, GAUGE	28..	539 109562....	2....	WASHER $\frac{3}{8}$ x $\frac{3}{4}$
4..	777 405380....	2....	BLADE, 46" HI-LIFT	29..	539 100145....	1....	RHSNB $\frac{3}{8}$ -16 x 2
5..	529 107520....	2....	WASHER/SPACER	30..	539 115574....	1....	EYE BOLT $\frac{5}{16}$ x $3\frac{1}{2}$
6..	539 107590....	2....	NUT $\frac{9}{16}$ TOP CNTRLK	31..	539 990799....	7....	RHSNB $\frac{5}{16}$ -18 x $\frac{5}{8}$
7..	539 107608....	3....	BOLT $\frac{3}{8}$ -16 x $3\frac{5}{8}$ SHOULDER	32..	539 990717....	8....	NUT $\frac{5}{16}$ -18 HEX NYLOC
8..	532 415598....	1....	PORT, WASHOUT	33..	539 976979....	4....	NUT $\frac{3}{8}$ -16 HEX NYLOC
9..	532 405506....	1....	SHIELD, BELT RH	34..	539 990122....	1....	WASHER $\frac{3}{8}$ SAE FLT
10..	532 405507....	1....	SHIELD, BELT LH	35..	539 990585....	2....	NUT $\frac{5}{16}$ -18 HEX WHIZLK
11..	532 403149....	1....	BAFFLE, FRONT	36..	539 117245....	1....	BELT, DECK
12..	532 403150....	1....	BAFFLE, FRONT RH	37..	539 108461....	1....	BOLT $\frac{1}{4}$ -20 x $\frac{1}{2}$ HWST
13..	532 193003....	2....	BOLT WASHER ASSM	38..	539 120920....	1....	SPRING, DECK BELT
14..	532 192557....	1....	BRACKET, DEFLECTOR	39..	539 107630....	8....	SCREW $\frac{5}{16}$ -18 x WSHR HD
15..	532 405357....	1....	SHIELD, DEFLECTOR	40..	539 107631....	4....	SCREW $\frac{1}{4}$ -20 x $\frac{5}{8}$ THDROLL
16..	539 107515....	2....	HOUSING, CUTTER	41..	539 104870....	1....	HCS $\frac{7}{16}$ -14 x $2\frac{1}{2}$
17..	539 113962....	2....	PULLEY, DECK	42..	539 119124....	1....	NUT $\frac{7}{16}$ -14 HEX
18..	539 107609....	1....	SPRING, TORSION	43..	539 990627....	1....	HCS $\frac{5}{16}$ -18 x $1\frac{1}{4}$
19..	539 107627....	1....	CAP, SLEEVE	44..	522 744301....	1....	DECK w/DECALS
20..	539 110462....	1....	ROD, HINGE	45..	532 416405....	1....	COUPLING, QUICK CONN
21..	539 107626....	1....	PUSHNUT	46..	539 113224....	1....	DECAL, WARNING
22..	532 195161....	2....	STUD, w/ANTI-ROTATE	47..	510 240201....	1....	DECAL, BELT ROUTING
23..	539 112899....	3....	NUT $\frac{5}{16}$ -18 FLANGE NYLOC	48..	539 913010....	1....	DECAL, WARNING
24..	532 196104....	1....	PULLEY, IDLER	49..	539 105746....	1....	DECAL, SEVERING
25..	522 706202....	1....	ARM, IDLER				

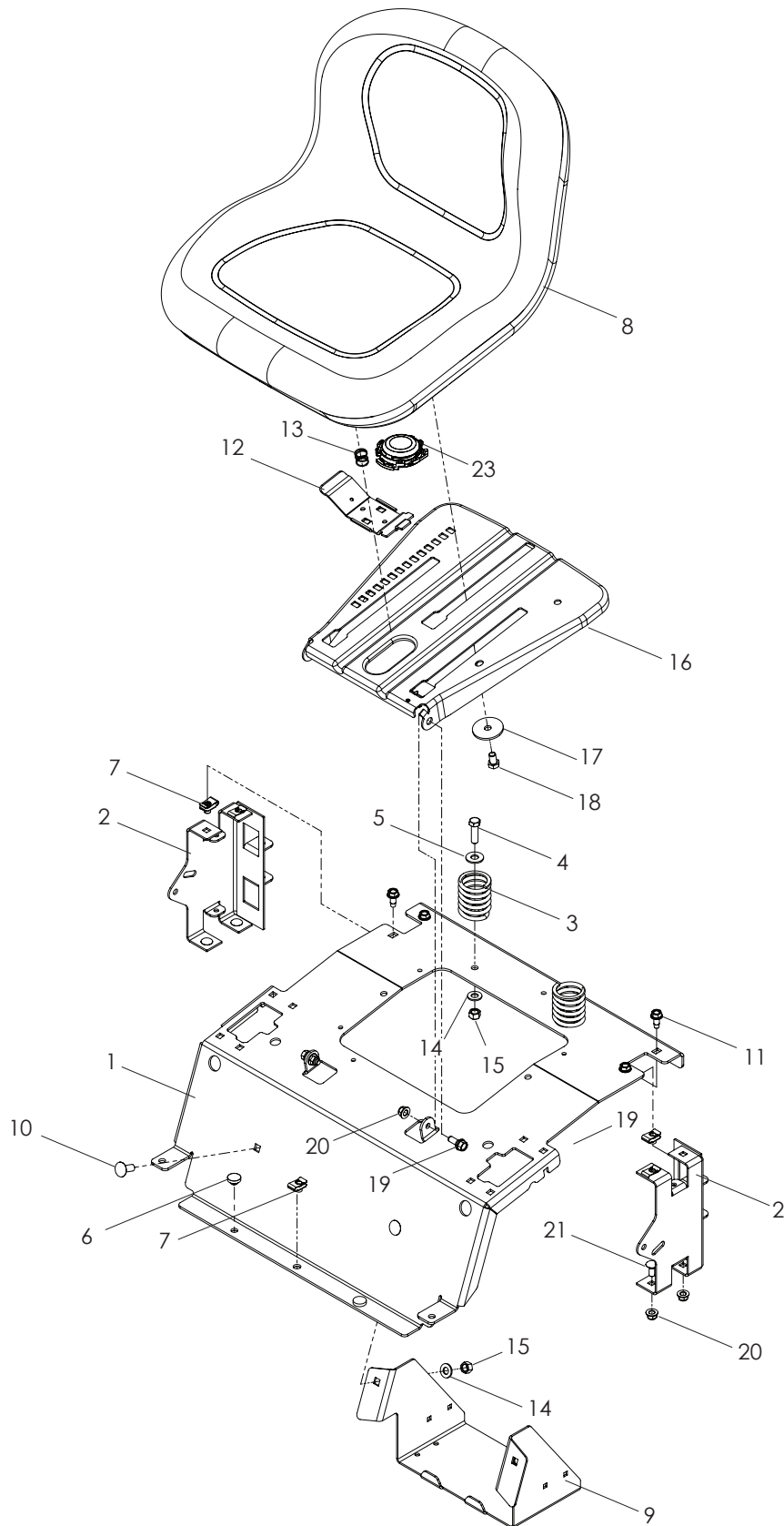
54" DECK



54" DECK

ITEM	PART NO.	QTY.	DESCRIPTION	ITEM	PART NO.	QTY.	DESCRIPTION
1..	539 108461....	1....	BOLT ¼-20 x ½ HWST	27..	539 114557....	1....	V-BELT
2..	539 112057....	3....	HOUSING, CUTTER	28..	539 990188....	1....	WASHER 5/16 SAE FLAT
3..	777 187256....	3....	BLADE, BAGGING	29..	539 990717..	12....	NUT 5/16-18 HEX NYLOC
4..	539 107610....	5....	WHEEL, GAUGE	30..	539 990122....	4....	WASHER 3/8 SAE FLT
5..	539 107608....	4....	BOLT ½ x 25/8 SHOULDER	31..	539 110462....	1....	ROD, HINGE
6..	532 195161....	2....	STUD, w/ ANTI-ROTATE	32..	539 107626....	1....	PUSHNUT
7..	539 112171....	3....	PULLEY	33..	539 107609....	1....	SPRING, TORSION
8..	529 107520....	3....	WASHER/SPACER	34..	539 107627....	1....	CAP, SLEEVE
9..	539 107590....	3....	NUT 9/16 TOP CNTRLK	35..	539 109554....	2....	WASHER ½ FLAT
10..	539 112054....	1....	DEFLECTOR, 54"	36..	539 976989....	2....	HAIRPIN #4
11..	539 100145....	1....	RHSNB 3/8-16 x 2	37..	539 112059....	1....	BAFFLE, RIGHT 54
12..	539 113558....	1....	BELT SHIELD, RT	38..	539 112060....	1....	BAFFLE, LEFT 54"
13..	539 128101....	1....	BOLT 3/8-16 x 2¼ CARRIAGE	39..	539 112062....	1....	BAFFLE, CENTER 54"
14..	532 196106....	2....	PULLEY, IDLER	40..	539 990799....	11....	RHSNB 5/16-18 x 5/8
15..	539 990517....	3....	WASHER 3/8 FLAT STD	41..	539 107522....	3....	BOLT WASHER ASSM
16..	539 976979....	6....	NUT 3/8-16 HEX NYLOC	42..	539 107630..	12....	SCREW 5/16-18 x WSHR HD
17..	539 990316....	1....	RHSNB 5/16-18 x ¾	43..	539 107631....	4....	SCREW ¼-20 x 5/8 THDROLL
18..	539 113557....	1....	BELT SHIELD, LT	44..	532 415598....	1....	PORT, WASHOUT
19..	539 112899....	3....	NUT 5/16-18 FLANGE NYLOC	45..	539 112620....	1....	DECAL, BELT ROUTING
20..	510 220002....	1....	ARM, IDLER	46..	522 629701....	1....	BELT KEEPER
21..	539 115574....	1....	EYE BOLT 5/16 x 3½	47..	522 744401....	1....	DECK w/ DECALS
22..	539 120920....	1....	SPRING, DECK BELT	48..	532 416405....	1....	COUPLING, QUICK CONN
23..	532 196104....	1....	PULLEY, IDLER	49..	539 113224....	1....	DECAL, WARNING
24..	539 104864....	3....	WASHER 7/16 FLAT	50..	539 913010....	1....	DECAL, WARNING
25..	539 104870....	1....	HCS 7/16-14 x 2½	51..	539 105746....	1....	DECAL, SEVERING
26..	539 119124....	1....	NUT 7/16-14 HEX				

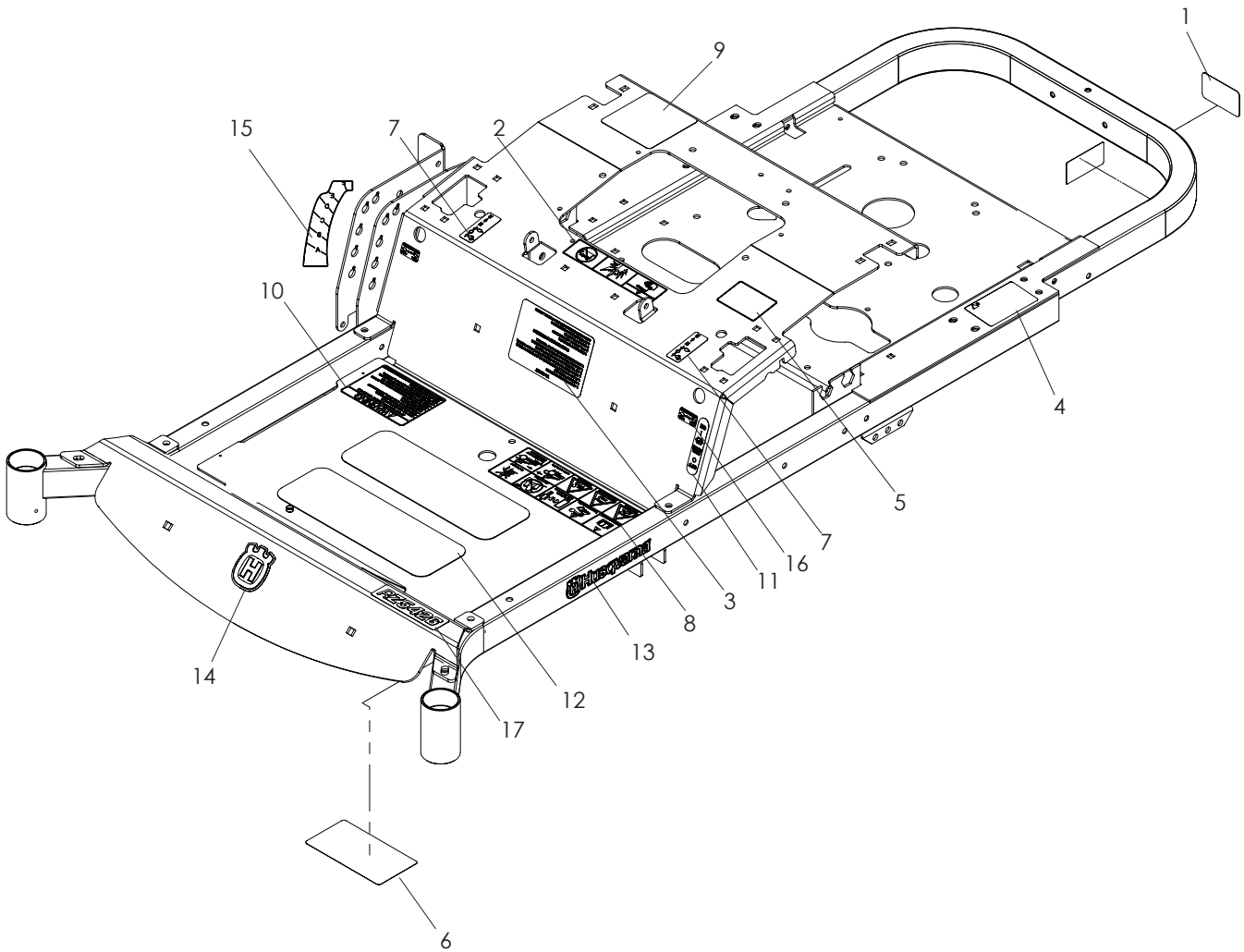
SEAT



SEAT

ITEM	PART NO.	QTY.	DESCRIPTION	ITEM	PART NO.	QTY.	DESCRIPTION
1..	522 545402....	1....	SUPPORT, SEAT, FLT	13..	532 198200....	1....	SPRING, LATCH
2..	510 182902....	2....	SUPPORT, SEAT RR	14..	539 990122....	4....	WASHER $\frac{3}{8}$ SAE FLT
3..	539 110300....	2....	SPRING, SEAT	15..	539 976979....	4....	NUT $\frac{3}{8}$ -16 HEX NYLOC
4..	539 976941....	2....	HCS $\frac{3}{8}$ -16 x $1\frac{1}{4}$	16..	532 196977....	1....	PAN, SEAT
5..	539 990517....	2....	WASHER $\frac{3}{8}$ FLT STD	17..	539 111897....	1....	WASHER $\frac{3}{8}$ SPECIAL
6..	539 102587....	2....	GROMMET, BUMPER	18..	539 108503....	1....	HCS $\frac{3}{8}$ -16 x $\frac{5}{8}$
7..	539 104763....	5....	RETAINER, U TYPE	19..	539 110303....	2....	BOLT $\frac{5}{16}$ -18 SHOULDER
8..	522 598901....	1....	SEAT	20..	539 112899....	6....	NUT $\frac{5}{16}$ -18 FLANGE NYLOC
9..	510 231302....	1....	BOX, BATTERY	21..	539 990316....	4....	RHSNB $\frac{5}{16}$ -18 x $\frac{3}{4}$
10..	539 990645....	2....	RHSNB $\frac{3}{8}$ -16 x 1	22..	539 115639....	2....	BOLT $\frac{5}{16}$ -18 x $2\frac{1}{4}$ CARRIAGE
11..	539 107475....	4....	BOLT $\frac{5}{16}$ -18 x $\frac{3}{4}$ THD FRM	23..	539 132140....	1....	SWITCH, SEAT
12..	532 197661....	1....	HANDLE, SLIDE				

DECALS



DECALS

ITEM	PART NO.	QTY.	DESCRIPTION	ITEM	PART NO.	QTY.	DESCRIPTION
1..	539 101881....	1....	DECAL, PROP 65	12..	539 977778....	3....	ABRASIVE PAD
2..	539 105745....	1....	DECAL, BATTERY WARNING	13..	532 422012....	2....	DECAL, HUSQVARNA
3..	539 108179....	1....	DECAL, START	14..	532 422011	2....	DECAL, CROWN H
4..	539 108385....	1....	DECAL, DO NOT TOW	15..	521 980501....	1....	DECAL, HEIGHT
5..	539 108386....	1....	DECAL, EXIT MOWER	16..	539 110974....	1....	DECAL, FST
6..	539 109897....	1....	DECAL, SERVICE	17..	521 949301....	1....	DECAL, RZ4219
7..	539 103333....	2....	DECAL, MOTION CONTROL		521 949302 ...	1....	DECAL, RZ4620
8..	539 109908....	1....	DECAL, SAFETY WARN		521 949306 ...	1....	DECAL, RZ5422
9..	539 110522....	1....	DECAL, RESPONSIBILITY		521 949312 ...	1....	DECAL, RZ4619
10..	539 113213....	1....	DECAL, WARNING		521 949313 ...	1....	DECAL, RZ5424
11..	539 120006....	1....	DECAL, PARK BRAKE				

Free Manuals Download Website

<http://myh66.com>

<http://usermanuals.us>

<http://www.somanuals.com>

<http://www.4manuals.cc>

<http://www.manual-lib.com>

<http://www.404manual.com>

<http://www.luxmanual.com>

<http://aubethermostatmanual.com>

Golf course search by state

<http://golfingnear.com>

Email search by domain

<http://emailbydomain.com>

Auto manuals search

<http://auto.somanuals.com>

TV manuals search

<http://tv.somanuals.com>